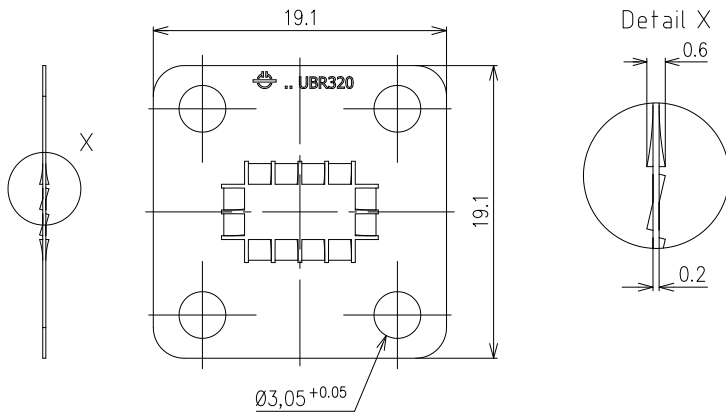


CONTACT SHIM



<b>Part number</b>	<b>BN 00 37 98</b>	
Configuration		
Waveguide	R320 (WR28)	
Flange	similar UBR	
Material and surface	CuBe	untreated
Standards	IEC 60154-2	
Weight	approx. 0.001 kg	