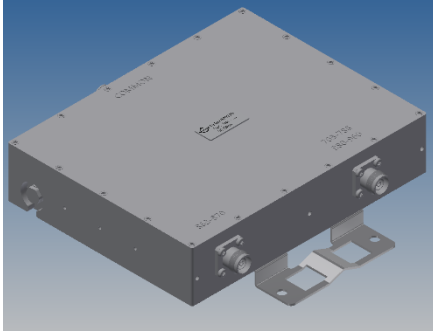
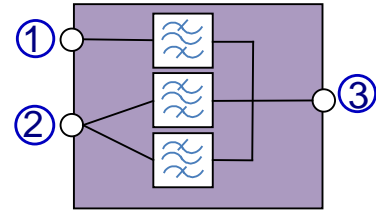


Diplexer 863-870 / 703-788 & 880-960 MHz



Picture not binding



Block diagram

Electrical characteristics

| | | |
|---|---------------------|---------------------------|
| Part number | BN 570770 | |
| Frequency range | Port 1 | 863-870 MHz |
| | Port 2 | 703-788 MHz / 880-960 MHz |
| Insertion Loss | ≤ 0.6 dB | |
| Isolation Port 1 ↔ Port 2 | ≥ 50 dB | |
| VSWR | ≤ 1.25 | |
| DC by-pass | N/A | |
| Passive intermodulation (IM3), 3rd order @ 2 x 20 W | ≤ -155 dBc @ Port 2 | |
| Impedance | 50 Ohm | |
| Power Rating | 160 W (CW) max. | |

Mechanical characteristics

| | |
|--|--|
| Connectors | 4.3 - 10 female |
| Dimensions, approx. (Excluding connector and mounting kit) | 266 x 57 x 209 mm (Width x Height x Depth) |
| Weight, approx. | 6 kg |
| Color | Grey (RAL 7047) |
| Wall / Mast mounting | Part of delivery |

Environmental conditions

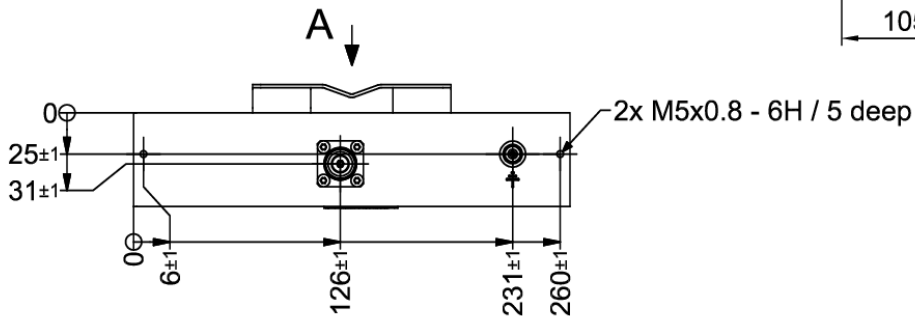
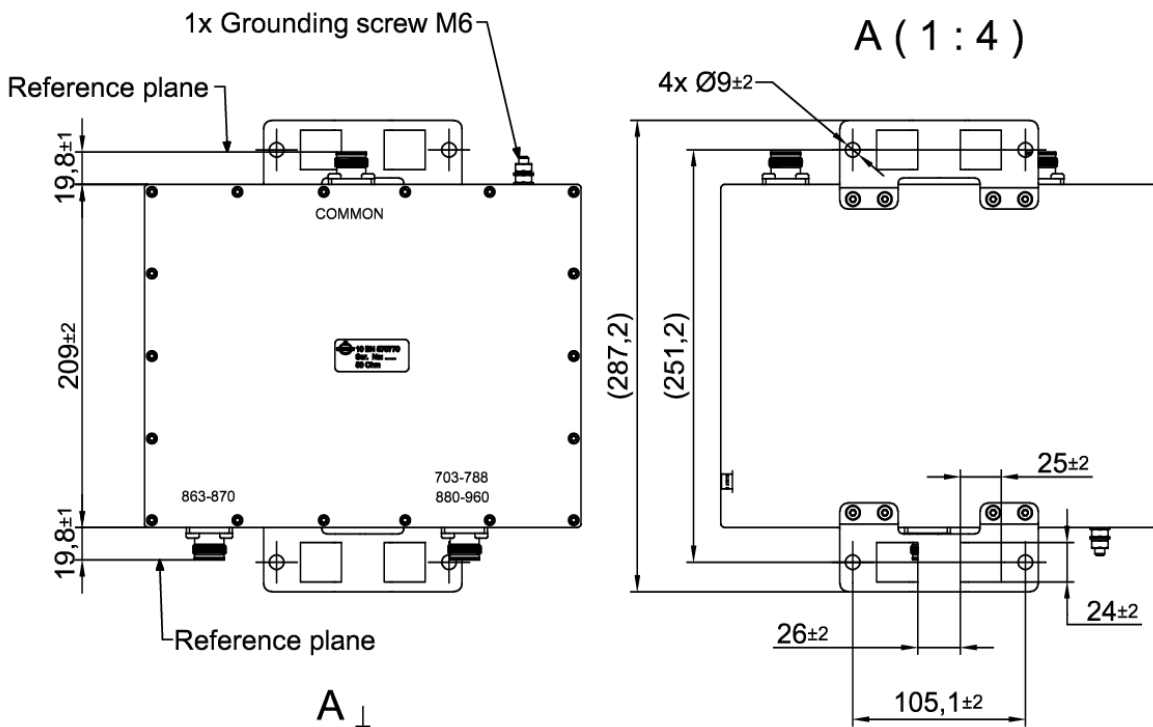
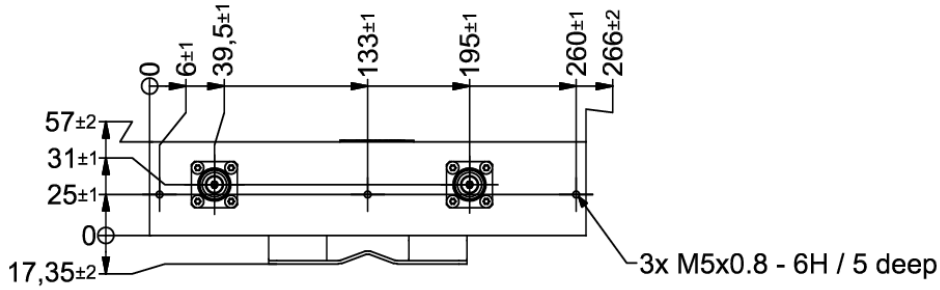
| | |
|-------------------------------------|---|
| Class. of environmental conditions | ETSI EN 300019-1-1 Class 1.2 ETSI EN 300019-1-2 Class 2.3 ETSI EN 300019-1-4 Class 4.1E |
| Degree of protection | IP 65 (Outdoor) |
| Operation Ambient temperature range | -40 °C to +45 °C |
| Storage Ambient temperature range | -40 °C to +85 °C |
| Relative humidity, max. | 95% (non-condensing) |

SPINNER GmbH
 This document is proprietary to us.
 All rights reserved. Any use, transfer, or reproduction of this document
 or the know-how contained therein requires our express consent.

Template TD-00002Y

Diplexer 863-870 / 703-788 & 880-960 MHz

Outline (all dimensions in millimeter)



Standard:
4.3-10 female (50 ohms): IEC 61169-54

modifications reserved!

SPINNER GmbH
This document is proprietary to us.
All rights reserved. Any use, transfer, or reproduction of this document
or the know-how contained therein requires our express consent.

Template TD-00002Y