



SPINNER I Product Manual

Original instructions

# SmartLoad 25 kW with Outdoor Heat Exchanger

BN 546435C0300

BN 546435C0301



[products.spinner-group.com](https://products.spinner-group.com)

HIGH FREQUENCY PERFORMANCE WORLDWIDE

[www.spinner-group.com](https://www.spinner-group.com)

## Content

1	Safety .....	3
1.1	About this product documentation.....	3
1.2	Intended use.....	3
1.3	Improper use .....	3
1.4	Qualifications of personnel.....	3
1.5	Safety signs and symbols .....	4
1.6	Signal words for hazard seriousness .....	4
1.7	Grouped safety messages for SPINNER broadcast products .....	5
2	Product identification .....	7
3	Delivery content.....	7
4	Function.....	8
4.1	General.....	8
4.2	Coolant .....	8
4.3	External heat exchanger .....	8
4.4	Coolant circuit of the liquid cooling system .....	8
4.5	Interlock loop .....	9
4.6	Operating and display elements.....	10
4.7	Maintenance cycle.....	10
5	Storage .....	10
6	Transportation .....	11
7	Installation .....	11
7.1	Mechanical installation .....	12
7.2	Electrical installation.....	15
7.3	Filling of the coolant circuit.....	17
8	Commissioning and normal operation.....	18
9	Maintenance .....	19
9.1	PLC clock time setting.....	20
9.2	Deaeration of the cooling circuit.....	20
9.3	Checking glycol concentration .....	22
9.4	Coolant exchange .....	23
10	Warranty.....	24
11	Repairs .....	24
12	Demounting .....	25
12.1	Disconnect in the following order: .....	25
12.2	Empty the cooling circuit: .....	26
13	Disposal.....	26
14	Spare Parts .....	26
15	Accessories .....	26
16	Contacts .....	27

## 1 Safety

### 1.1 About this product documentation

The Spinner group makes every effort to keep the safety standard of our products up to date to be able to offer our customers the highest possible degree of safety. Our products are designed and tested in accordance with the relevant safety standards. There is, however, still a danger of personal injury or damage to equipment if this chapter and the safety instructions in this documentation are not complied with. This documentation aims at persons commissioned with the transport, installation, commissioning, operation, cleaning, maintenance, repairs, demounting and disposal of SPINNER SmartLoads. Read this documentation completely and particularly the chapter "Safety", before working with the product. Keep this product documentation available at the site and pass it on to the subsequent users. For all questions regarding the safety you can contact SPINNER at any time.

### 1.2 Intended use

The intended use of the product is to terminate RF high power coaxial transmission lines. The SmartLoad BN 546435C0300 or 546435C0301 is designed to absorb RF power of max. 25 kW in broadcast or industrial applications. The indoor unit of the SmartLoad shall be used only in operating rooms with restricted access. Access for authorized persons shall be regulated by the operator.

Details and other limits are given in the attached data sheet 10086250.

The intended use of the product is assumed, if it is used in accordance with the requirements of the applicable product documentation and within its performance limits (see attached data sheet, circuit diagram, environmental conditions, material data sheet of the SPINNER coolant and the following safety instructions). Applicable local or national safety regulations and rules for the prevention of accidents must be observed in all work performed in conjunction with the product.

### 1.3 Improper use

The improper use of the product includes the use of the SmartLoad:

- indoor unit in operating rooms with unrestricted access
- indoor unit in outdoor applications
- in explosion-prone atmosphere
- without correctly connected interlock system
- with covered inlet or exhaust air openings
- with modifications not authorized by SPINNER
- in damaged condition
- for private purposes
- in conditions and environments beyond the limits given in this product documentation

Any other use than described in the chapter intended use and in this product documentation is improper use and therefore inadmissible.

### 1.4 Qualifications of personnel













Installation, commissioning, operation, maintenance, repairs and demounting of the product require electrical and mechanical specialized knowledge. In order to ensure the safe use, these activities may therefore only be carried out by qualified technical personnel or an instructed person under the direction and supervision of qualified personnel. Qualified personnel are those who, due to professional training, knowledge and experience as well as their understanding of the relevant regulations, are able to assess the work assigned, to recognize possible hazards and to institute appropriate safety measures.

Qualified personnel must have appropriate safety equipment and must be trained in first aid.

The use of the product requires special training and a high level of concentration. It must be ensured that persons who use the product are physically, mentally and emotionally able to comply with the requirements, otherwise injuries or material damage may occur. The employer or operator must choose suitable personnel for use of the product.

## 1.5 Safety signs and symbols

Safety signs are used on warning labels, stickers, in the product documentation and on the packaging of the product.

					
Warning! General hazard	Warning! Danger of electric shock	Warning! Hot surface	PE terminal	Earth	Warning! High weight
					
Warning! Non-ionised electromagnetic radiation	No access for persons with pacemakers	Use safety shoes	Use safety helmet	Use safety gloves	Observe product documentation

## 1.6 Signal words for hazard seriousness

Signal words are used on warning labels, stickers, in the product documentation, on specific danger spots and on the packaging of the product. They indicate the hazard seriousness in safety messages.

- DANGER** Indicates a hazardous situation conveying great risk which, if not avoided, will result in death or serious injury.
- WARNING** Indicates a hazardous situation conveying moderate risk which, if not avoided, could result in death or serious injury.
- CAUTION** Indicates a hazardous situation conveying minor risk which, if not avoided, may result in minor or moderate injury.
- NOTICE** Indicates the possibility of faulty operation that can damage the product.

It is essential to make sure that the signal words described here are always used only in connection with the related product documentation and the related product. The use of signal words in connection with unrelated products or documentation can result in misinterpretation and thus contribute to personal injury or material damage.

## 1.7 Grouped safety messages for SPINNER broadcast products

### Entire or multiple phases of product lifecycle

- Unless otherwise specified, these products are not protected against penetration of liquids, gases, steam, etc. Failure to comply could result in electric shock or product damage, which could also lead to serious injury.
- Blocking of constructive openings on the product (ventilation slots, fine leaks etc.) must be prevented, because these are necessary for product operation. Failure to comply could lead to overheating and could result in burns, fire and electric shock.
- Any object that is not designed to be placed in the openings of the housing must not be used for this purpose. Doing so can cause short circuits inside the product and could result in electric shock, fire or injury.
- Depending on the function, certain products such as RF radio equipment can produce an elevated level of electromagnetic radiation. Considering that unborn babies require increased protection, pregnant women must be protected by appropriate measures. Persons with pacemakers may also be exposed to risks from electromagnetic radiation. The employer/operator must evaluate workplaces where there is a special risk of exposure to radiation and, if necessary, take measures to avert the potential danger.
- As with all industrially manufactured goods, the use of substances that induce an allergic reaction (allergens) such as nickel cannot be generally excluded. If you develop an allergic reaction (such as a skin rash, frequent sneezing, red eyes or respiratory difficulties) when using a SPINNER product, consult a physician immediately to determine the cause and to prevent health problems or stress.
- Should a fire occur, the product may release hazardous substances (gases, fluids, etc.) that can cause health problems. Therefore, suitable measures must be taken, e.g. protective masks and protective clothing must be worn.

### Transport

- The product may be very heavy. In some cases, the user may require suitable lifting gear and means of transportation to avoid back or other physical injuries.
- Transport the product only in the original packaging. Do not unpack until immediately prior to installation. Failure to comply could result in death or serious injury.

### Installation

- Do not place the product on heat-generating devices such as radiators or fan heaters. The ambient temperature must not exceed the maximum temperature specified in the product documentation or in the data sheet. Product overheating could result in burns, fire and electric shock.
- Do not place the product on surfaces, vehicles, cabinets or tables that for reasons of weight or stability are unsuitable for this purpose. Always follow the installation instructions of the manufacturer when installing the product and fastening it to objects or structures (e.g. walls and shelves). An installation that is not carried out as described in the product documentation could result in death or serious injury.
- Mains driven products must be operated only from a TN power distribution system. The operator is responsible for using an appropriate and sufficiently dimensioned AC power line. The AC power line must be externally fused according to the product documentation. Failure to comply could result in fire or electric shock.
- Operation of products with protection class I according to EN 61140 is permitted only with a mains cable with protective earth connection. The protective conductor continuity must be inspected by an electrically skilled person. Failure to comply could result in electric shock.

- All externally connected circuits for controlling, alerting and signalling have to be fed from ES1 type sources acc. to IEC 62368-1 only. The current in these circuits has to be externally limited by means of fuses to values indicated in the product documentation. Failure to comply could result in fire and electric shock.
- Dangerous voltage must not reach the product over the outer conductor/waveguide. Failure to comply could result in electric shock.
- If the product is equipped with a ground terminal connection (equipotential connection), the ground terminal must be connected sufficiently dimensioned to earth. Failure to comply could result in electric shock.

### **Commissioning / Operation**

- Products in operation may be hot. Touching them could result in burns.
- Before applying RF-power to the product, ensure proper connection and matching (load, line, etc.) of all RF-connectors. Ensure sufficient mechanical rigidity of the RF-connections. Failure to comply could result in serious injuries by non-ionised electromagnetic radiation.
- Operation of the product with a damaged cable is not permitted. All cables must be checked on a regular basis to ensure that they are in proper operating condition. By taking appropriate safety measures and carefully laying the power cable, ensure that the cable cannot be damaged and that no one can be hurt or suffer an electric shock by e.g. tripping over the cable.
- Front panels, lids and covers must not be removed during operation. Otherwise, live components can be accessible. This could result in electric shock, fire and serious injury.
- If the product is subjected to pressure, the locally and nationally applicable guidelines for pressure vessels must be applied. Failure to comply could result in death or serious injury.

### **Cleaning**

- Prior to cleaning, turn off all feeding transmitters and disconnect them from the power supply. Use a soft, lint-free, dry cloth for cleaning. Do not use chemical cleaners. Perform cleaning only after cooling-down. Failure to comply could result in electric shock and burns.

### **Repair**




- Troubleshooting and repairs should only be carried out by qualified technical personnel or an instructed person under the direction and supervision of qualified personnel (see chapter 1.4 "Qualifications of personnel"). Observe the section safety messages and in particular chapter 1 "Safety" of this product manual. Failure to comply could result in death or serious injury.
- Do not modify the product and use only spare parts tested and approved by SPINNER. Failure to comply could result in death or serious injury.




### **Disposal**

- The operator is responsible for disposing of the product according to national waste disposal regulations. Improper disassembly or disposal may be hazardous.
- If hazardous substances or operation materials are used for operation of the product, which must be periodically disposed of (e.g. coolant), these materials must be treated in accordance with the safety instructions of the hazardous substance or operating material manufacturer and the national waste disposal regulations. Also observe the relevant safety instructions in this product documentation. Failure to comply could result in serious injury and environmental damage.

## 2 Product identification

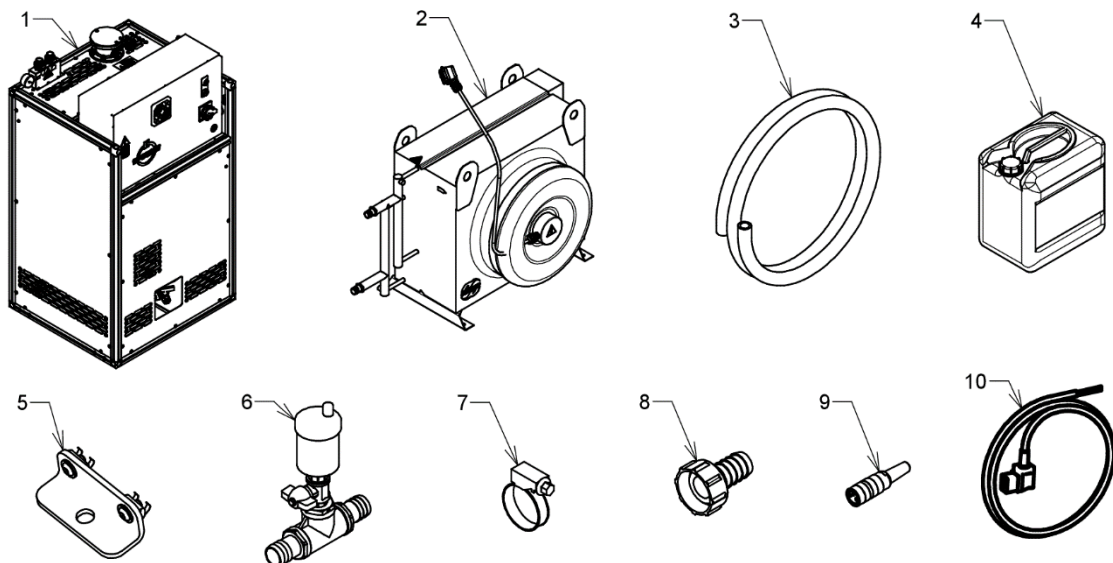
The SPINNER SmartLoad BN 546435C0300 or 546435C0301 have a type plate on the indoor unit containing the following information for product identification:

	Spinner GmbH Erzgiessereistr. 33 D-80335 München		
Abschlusswiderstand / Load 25 kW 50 Ω			
.. BN 546435C0300 / Ser.No.: ..... / Built: ....			
Netzanschluss / Mains connection: L, N, PE			
Netzspannung / Mains voltage: 230 V AC ±10%, 50/60 Hz			
Wirkleistungsaufnahme / Real power consumption: 1,5 kW			
Nennstrom / Nominal current @ 230 V: 10 A			
Betriebsgewicht ca. / Operating weight approx.:			
			Load indoor unit: 90 kg
			Outdoor heat exchanger: 60 kg

	Spinner GmbH Erzgiessereistr. 33 D-80335 München		
Abschlusswiderstand / Load 25 kW 50 Ω			
.. BN 546435C0301 / Ser.No.: ..... / Built: ....			
Netzanschluss / Mains connection: L, N, PE			
Netzspannung / Mains voltage: 115 V AC ±10%, 50/60 Hz			
Wirkleistungsaufnahme / Real power consumption: 1,5 kW			
Nennstrom / Nominal current @ 115 V: 15,5 A			
Betriebsgewicht ca. / Operating weight approx.:			
			Load indoor unit: 90 kg
			Outdoor heat exchanger: 60 kg

## 3 Delivery content

The scope of delivery includes the following items:



1. SmartLoad indoor unit
2. Radiator fan outdoor unit (external heat exchanger)
3. 1" hose, 20 m
4. 30 l canister coolant
5. Mounting bracket (4 pcs)
6. Automatic vent (2 pcs)
7. Hose clamp set (8 pcs)
8. Nozzle adaptor G 3/4" to 13 mm hose
9. Interlock loop connector
10. Power cord with IEC 60230-1 C19 socket
11. Product manual 10086219

## 4 Function

### 4.1 General

The resistor element of the SmartLoad, consisting of a cylindrical ceramic substrate coated with special resistive material, absorbs the RF power and converts it into heat. A pressurized liquid cooling system with coolant pump and closed cooling circuit is used for transferring the heat from the resistor element, via a heat exchanger with forced air cooling, to the surrounding area.

### 4.2 Coolant

The coolant ANTIFROGEN N is a well-balanced yellow coloured mixture of distilled water, ethylene glycol and a rust preventative. The composition ensures excellent protection against corrosion and freezing. The coolant supplied is a mixture of distilled water, 39% by volume ethylene glycol and a corrosion inhibitor.



Observe the attached material data sheet of the coolant when filling up, emptying or deaerating the cooling system or disposing of the coolant. For an updated copy of the material data sheet refer to the link or QR code below:

<https://products.spinner-group.com/AntifrogenN>



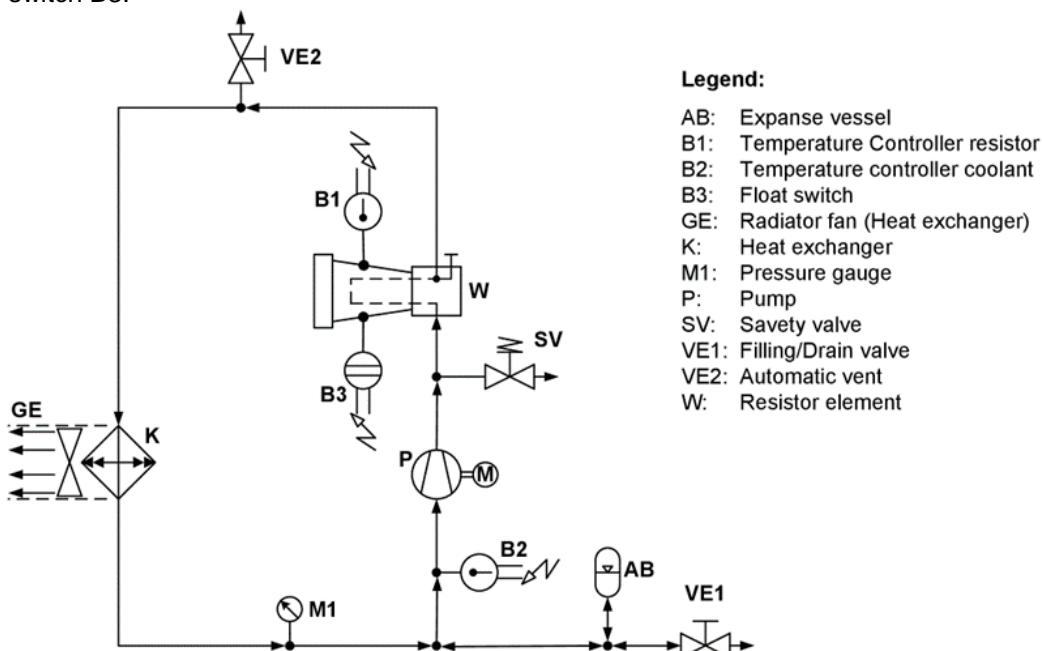
### 4.3 External heat exchanger

A radiator fan is used for re-cooling of the heat sink in the external heat exchanger.

**NOTICE** Ensure unobstructed air circulation to avoid overheating.

### 4.4 Coolant circuit of the liquid cooling system

A pressurized closed cooling circuit with radiator fan is used for heat release. The coolant is pumped through the resistor element W and the heat exchanger K by means of the coolant pump P. The expanse vessel AB is added due to the thermal expansion of the coolant. The outer surface temperature of the resistor element and the coolant temperature are monitored by means of the temperature controllers B1 and B2. Leakage from the resistor element is monitored by the float switch B3.





## 4.5 Interlock loop

The internal interlock loop for protection of the SmartLoad consists of a programmable logic controller (PLC), temperature controllers, float switch and signal contacts. The logic of the PLC combines all seven sensory inputs like switches connected in series to control the interlock loop, which is closed during normal operation of the SmartLoad. Any open switch shuts down all transmitters connected to the interlock loop.

- The temperature controller B1 opens at resistor temperatures above 260 °C. After opening the interlock at 260 °C the load element needs to cool down to 60 °C before the interlock is closed again. The overtemperature threshold will be reduced gradually to 190 °C and 120 °C to keep the load element temperatures in a safe range. Between the interlock open temperature of 120°C and the interlock close temperature of 60°C unlimited operation is possible. After 6 hours of trouble-free operation or a power cycle the interlock open threshold will be reset to 260 °C.
- The temperature controller B2 opens at coolant temperatures above 90 °C and closes below 80 °C.
- The float switch B3 opens when it detects coolant leaks.
- The protection function of the frequency inverter VFD1 for the coolant pump P opens at coolant pump motor overload.
- The protection function of the frequency inverter VFD2 for the ventilator GE opens at ventilator motor overload.
- The main switch interlock is open in power off position of the main switch.
- The radiator fan interlock is open if the connector J3.1 is unplugged.



### WARNING

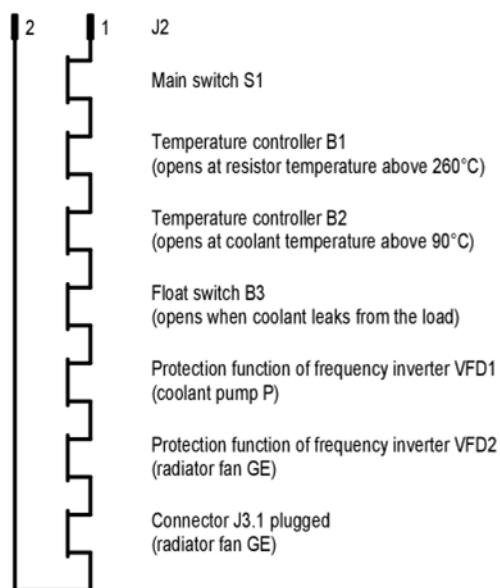
Electric shock hazard

Electric shock can cause severe burns and fatal injuries.

The interlock loop must be de-energized during J2 plugging.

Do not use the interlock loop for personal protection

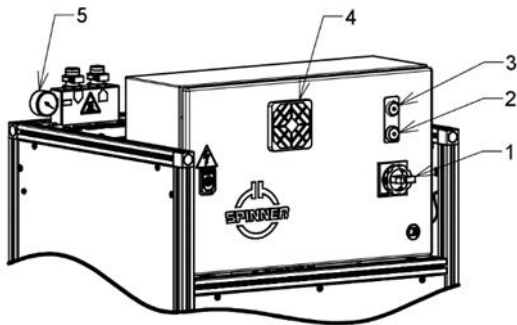
**Schematic diagram of the switching status during normal operation:**



The internal interlock loop complies with the requirements for Electrical energy Source class 1 (ES1 type according to IEC 62368-1, safe separation, proof voltage resistance 4 kV ACpk to primary circuit).

The maximum permissible voltage for the interlock loop and to the grounded housing is 42.4 V ACpk respectively 60 V DC. The power supply must be fully compliant with the ES1 type requirements. The circuit has to be limited externally to 1 A.

## 4.6 Operating and display elements



- 1 Main switch (S1)
- 2 Green indicator light (H1)
- 3 Red indicator light (H2)
- 4 Front panel fan (V1)
- 5 Coolant pressure gauge (M1)

### Green indicator light “READY“:

Some 10 seconds after main switch turned on, the green light indicates readiness for operation:

- Mains voltage is connected
- Main switch is turned on
- No fault has been occurred

### Red indicator light “WARNING“:

The red light indicates that the interlock loop of the SmartLoad is interrupted. All transmitters connected properly to the interlock loop are turned off.

The red indicator lamp lights, if the mains voltage is connected and the main switch is turned on and at least one of the following six conditions is true:

- Resistor element temperature too high
- Coolant temperature too high
- Float switch triggered
- Motor protection VFD1 triggered
- Motor protection VFD2 triggered
- Radiator fan GE connector J3.1 unplugged

### Front panel fan

The fan mounted on the front panel of the control cabinet is required for cooling of the frequency inverters VFD1 and VFD2. The fan runs if the pump is operating at full speed.

## 4.7 Maintenance cycle

To ensure proper longterm operation of the coolant pump, the PLC activates autonomous maintenance cycles daily for the duration of a few minutes, refer to “PLC clock time setting” in the attached PLC manual 10058594.

## 5 Storage

Keep dry and avoid exposure to sudden temperature changes to prevent condensation. Environmental conditions for storage are specified in the attached data sheet 10086250. Do not unpack until immediately prior to installation.

**NOTICE** Do not remove any connector protection cap until immediately prior to installation to avoid formation of dust and scratches on sensitive RF contact surfaces. Environmental conditions for storage refer to attached data sheet TD-00060

## 6 Transportation



### CAUTION

Crushing Hazard

The SmartLoad is heavy. Crushing or falling may cause injuries.

Use suitable lifting gear approved to carry at least 200 kg.

Do not stand below the SmartLoad.

To ensure stability, keep the product in the supplied transport packaging until immediately prior to installation.

Do not lift the SmartLoad at the RF connector.

Do not stress the pressure gauge and the control cabinet.

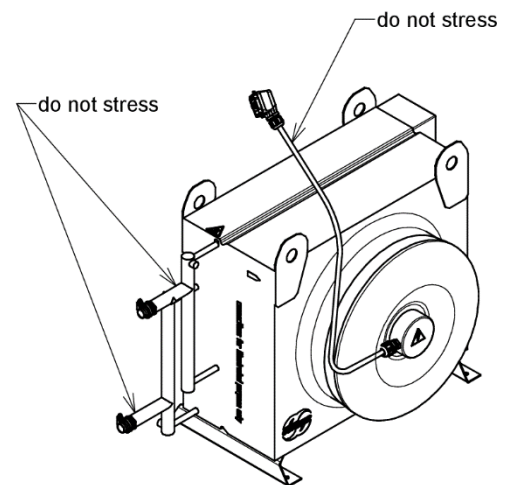
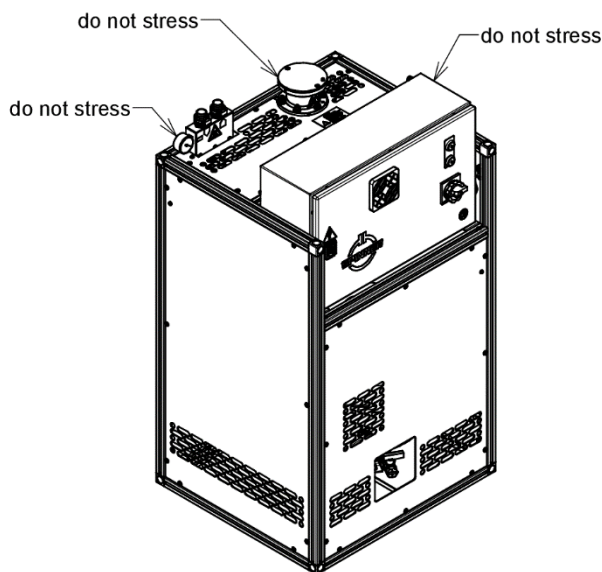
Do not stress the tubes and the cable of the heat exchanger.

Safety shoes and hardhat are required.



### NOTICE

Environmental conditions for transportation refer to attached data sheet TD-00060



## 7 Installation



Before you start, ensure to read and understand the section safety messages and in particular chapter 1 "Safety" of this product manual. Only electrically skilled persons should install SPINNER SmartLoads in accordance with the national safety and accident prevention regulations.

Failure to observe could result in death or serious injury.

## 7.1 Mechanical installation



### WARNING

Crushing Hazard

Falling objects may cause death and serious injury.



The SmartLoad is heavy. Use suitable lifting gear only. The lifting gear must be approved to carry at least 200 kg.

Do not lift the SmartLoad at the RF connector.

Do not stress the expanse vessel and the control cabinet.



Use suitable fasteners if mounted in an elevated position.

Safety shoes are required. If it is necessary to stand below the SmartLoad during installation, safety shoes and hardhat are required.

### WARNING

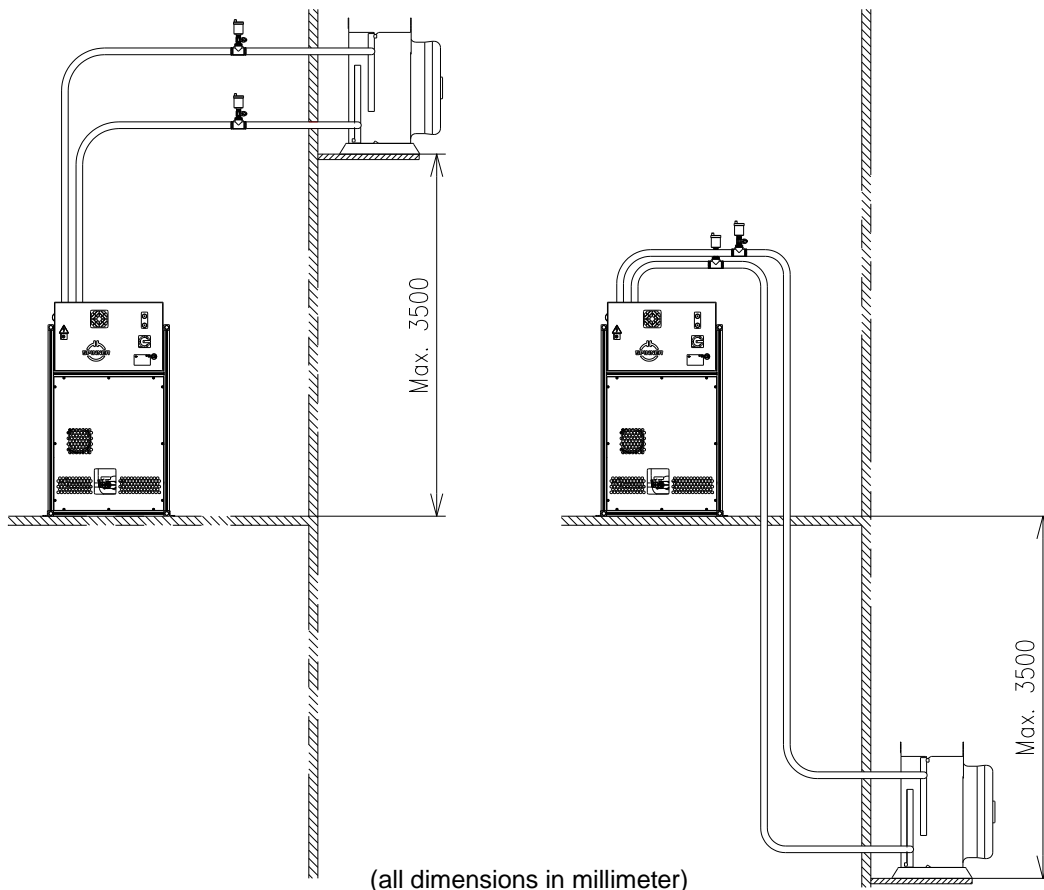
Electric shock hazard

Electric shock can cause severe burns and fatal injuries.

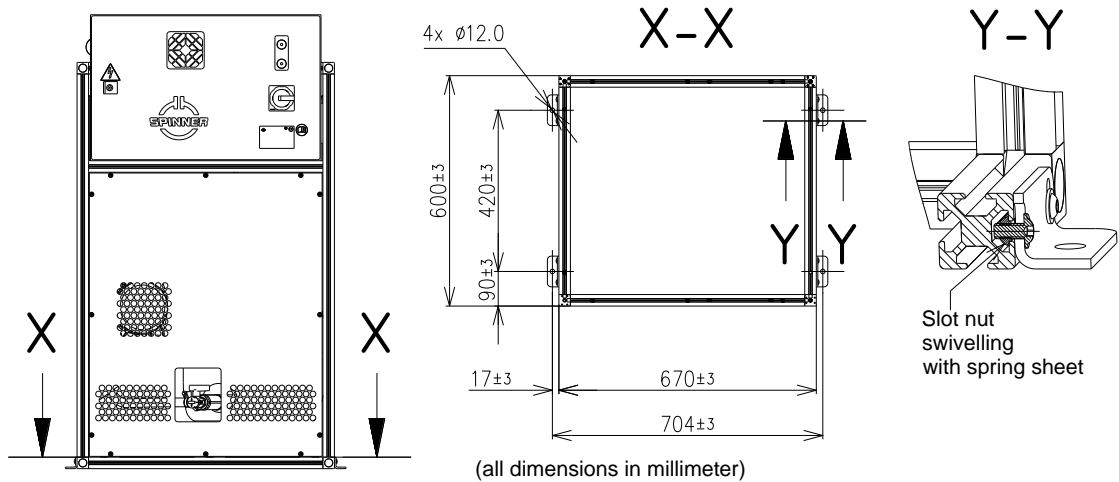


Do not install and operate the SmartLoad in environmental conditions beyond the specifications given in the attached data sheet TD-00060. The SmartLoad is designed for indoor application on operating sites with limited access only.

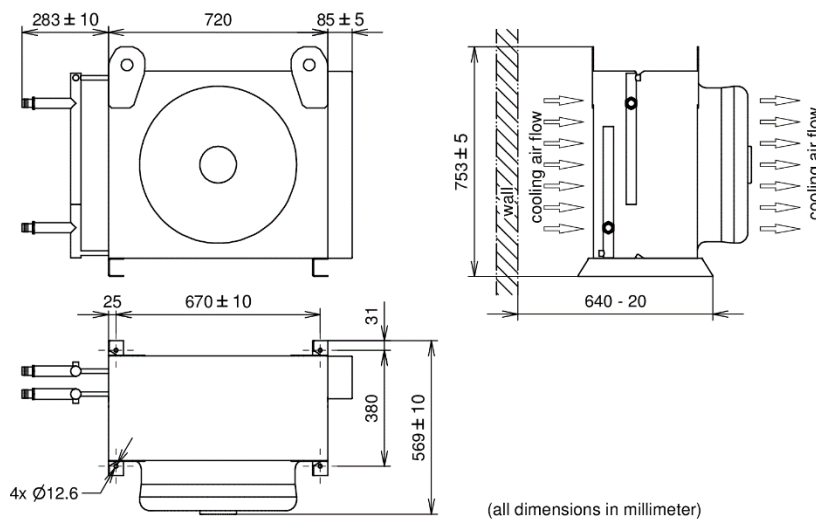
- Define mounting positions of the SmartLoad indoor unit and the external heat exchanger unit according to the instructions given below. The supplied hoses and connection cable allow a maximum distance of 10 meters between both units. The automatic vents must be mounted at the highest point of the cooling circuit, one each in flow and return. From the automatic vents install the hoses monotonously falling without any upturns to both units.



- The SmartLoad indoor unit must be installed on a flat and solid ground with bearing capacity higher than 100 kg to ensure stability. The front panel and main switch need to be easily accessible. Do not install the SmartLoad indoor unit on escape routes or corridors.
- Use the 12 mm mounting holes of the supplied 4 mounting brackets to bolt the SmartLoad indoor unit with suitable screws to the floor or a support structure. The recommended mounting position of the adjustable brackets is given below:

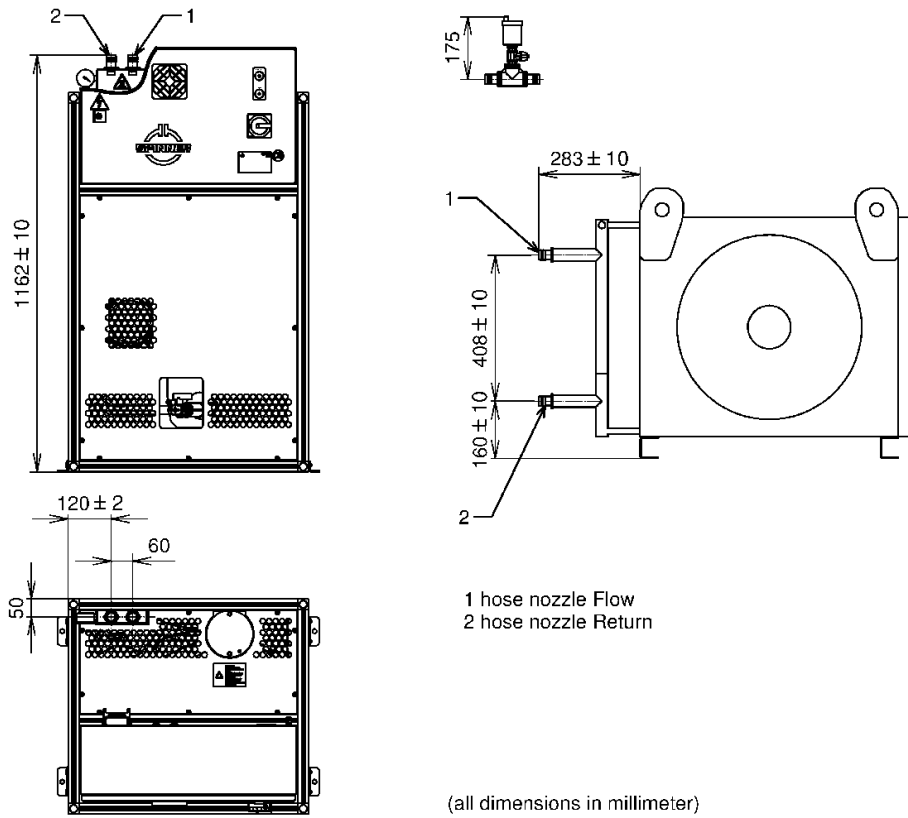


- Use all 4 mounting holes of the external heat exchanger to fix it with suitable screws to the floor, or with fasteners, (e.g. wall hanger supports lengths 640 mm, refer to chapter "Accessories") and screws to a wall or support structure with bearing capacity higher than 70 kg.

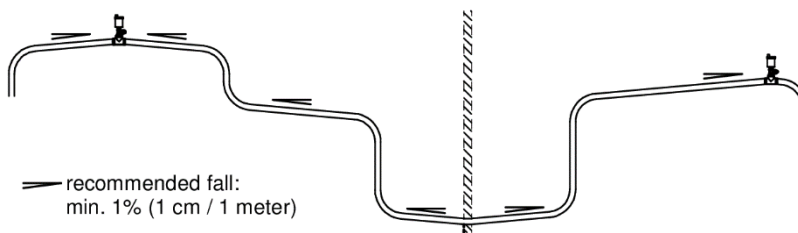


**NOTICE** Ensure unobstructed air circulation to avoid overheating. Free space on the suction side is required.

- Use the supplied hoses and clamps to connect flow and return nozzles of SmartLoad indoor unit and the external heat exchanger. Recommended clamp torque is 5 Nm.



- The automatic vents must be mounted at the highest point of the cooling circuit, at least one each in flow and return. When laying hoses with several peaks, a valve must be fitted at each peak.



## 7.2 Electrical installation



### WARNING

Electric shock hazard

Electric shock can cause severe burns and fatal injuries.

Before you start ensure to disconnect your entire system from the power supply. Utilize appropriate devices and methods to prevent accidental energizing.



### WARNING

High leakage current

Connect at least 10 mm<sup>2</sup> PE conductor permanently to separate PE terminal before connecting mains connector.



### WARNING

Radio Frequency Hazard

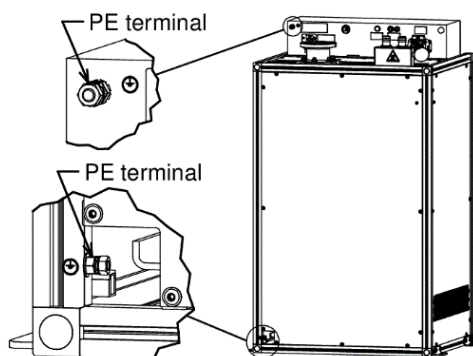
Radio Frequency Power can cause burns, eye injuries and electrical shock.

Before connecting the RF cable, ensure to disconnect your entire system from the power supply. Utilize appropriate devices and methods to prevent accidental energizing.

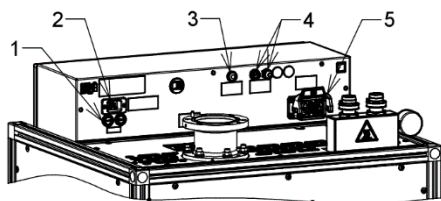
### NOTICE

To avoid overheating caused by RF overload ensure to connect all relevant transmitters to the interlock system of the SmartLoad prior to commissioning.

- Connect a PE conductor of at least 10 mm<sup>2</sup> with cable lug permanently to marked separate PE terminal, either at the top of the switch cabinet (M8 screw) or at the bottom on the rear of the frame (M6 screw), before connecting any other wire.



- Connect the radiator fan of the external heat exchanger via J3.1 to the SmartLoad indoor unit. Cut the cable to the required length, if applicable. The insert of the cable connector can be turned 180 degrees to change the position of the cable inlet. The pin assignment is given in the circuit diagram 10085335 for BN 546435C0300 resp. 10085351 for BN 546435C0301.



1 Mains inlet fuses (F2, F3)

2 Mains connection (J1)

BN 546435C0300: 230 V AC ±10%; L, N, PE; 50/60 Hz

BN 546435C0301: 115 V AC ±10%; L, N, PE; 50/60 Hz

3 Pushbutton for pump and radiator fan (S2)

4 Connection/cable gland for interlock loop (J2)

5 Connection for radiator fan connector (J3.1)

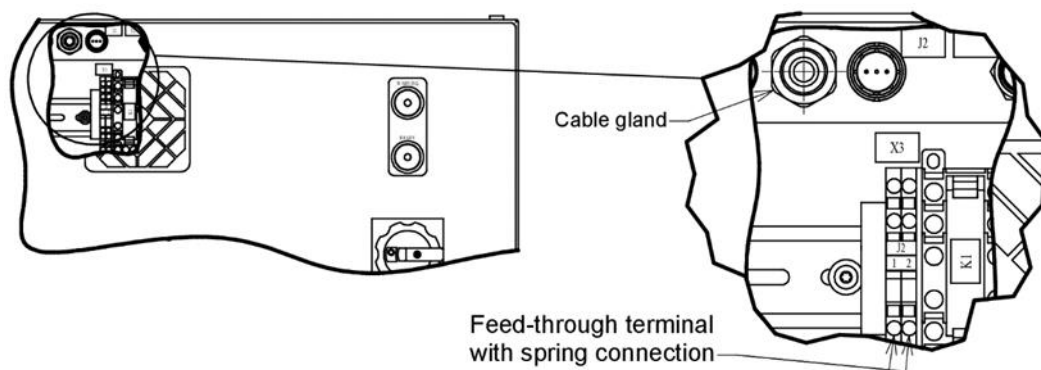
- Connect the interlock loop:

Option 1:

Mount the supplied interlock loop connector on a suitable cable and attach the connector to the two-pole screw locking IEC 60130-9 port on the rear side of the control box.

Option 2:

Alternatively use the cable gland on the rear side of the control box to run the interlock cable to the terminals inside the control box in accordance with the attached circuit diagram 10085335 for BN 546435C0300 resp. 10085351 for BN 546435C0301. Push a screwdriver into the rectangular opening of the clamp, insert the wire into the round opening and then pull out the screwdriver.



Check proper function of the interlock system prior to commissioning. Do not use the interlock loop for personal protection.

The maximum permissible voltage for the interlock loop and to the grounded housing is 42.4 V ACpk respectively 60 V DC. The power supply must be fully compliant with the ES1 type requirements according to IEC 62368-1. The circuit has to be limited externally to 1 A.

- Mount suitable mains connector to the supplied IEC 60320-1 C19 socket power cord according to the attached circuit diagram.

Mains connector requirements:

BN 546435C0300 230 V AC, 50 Hz to 60 Hz, 10 A, 3x 2.5 mm<sup>2</sup>

BN 546435C0301 115 V AC, 50 Hz to 60 Hz, 16 A, 3x 2.5 mm<sup>2</sup>

Alternatively, a standard mains cable with a cross-section of 3x 2.5 mm<sup>2</sup> and an IEC 60320-1 C19 socket can be used.

Use an easily accessible socket located close to the SmartLoad for mains connection.

Connect the SmartLoad only to TN networks (L, N, PE):

BN 546435C0300 230 V AC, 50 Hz to 60 Hz

BN 546435C0301 115 V AC, 50 Hz to 60 Hz.

- Connect RF using connectors according to IEC 339 only.
- Relieve all connections to the SmartLoad from any bending torque, e.g. caused by heavy cables or assemblies.
- Check sufficiently dimensioned PE-connection and PE-continuity prior to commissioning.
- Check functioning of the interlock loop by turning the main switch (S1) into the off position.

**NOTICE** We recommend placing lightning rods close to the external heat exchanger to ensure lightning protection.



### 7.3 Filling of the coolant circuit



Observe the attached safety data sheet of the coolant when filling up, emptying or deaerating the liquid cooling system or disposing of the coolant.



Wear eye protection

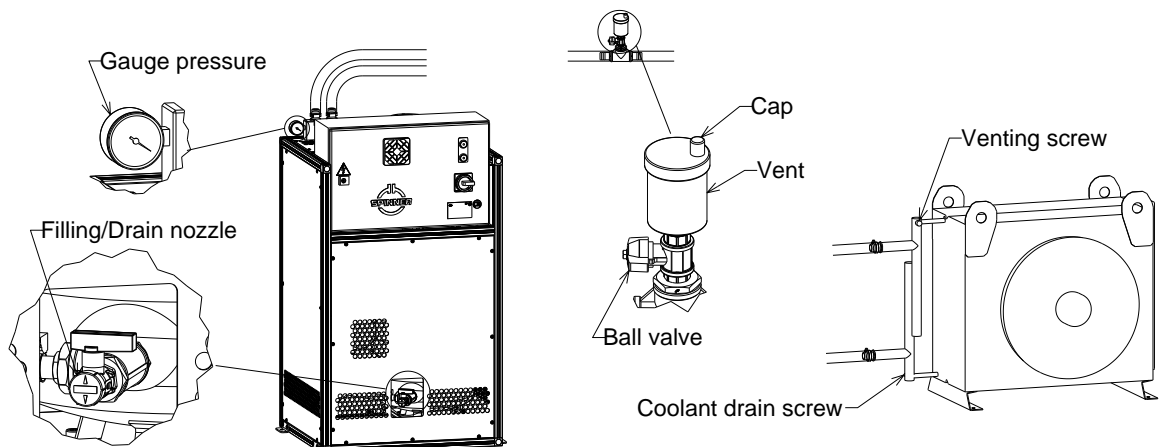


Wear safety gloves

The cooling circuit with a capacity of approx. 26 l shall be filled via the G 3/4" filling nozzle of the SmartLoad indoor unit by means of a separately available filling pump set, refer to chapter "Accessories". If the filling pump set is not available, the included nozzle adaptor to 13 mm hose can be used to an existing filling set.

**NOTICE** Use only the coolant ANTIFROGEN N, SPINNER BN 39463A (20 l canister), 2 pcs required.

- Attach hose to the filling nozzle with G 3/4" external thread at the expansion vessel.



- Insert suction hose of the filling pump into coolant canister.
- Open filling nozzle ball valve.
- Open the ball valve of the automatic vents. Turn the cap of vent anticlockwise 360 degrees to open the vent.
- Operate filling pump until the coolant gauge pressure reaches 1.0 bar.
- Close filling nozzle ball valve and disconnect pump.
- Close the ball valve of the automatic vents. Turn the cap of vent clockwise 360 degrees to close the vent.
- Deaerate the cooling circuit, refer to chapter 9.2.

**NOTICE** Pump must not run dry.

**NOTICE** Pump must run evenly without disturbing noise. Faultless functioning of the SmartLoad unit can only be guaranteed, if the cooling system is deaerated properly. Repeat deaeration if the pump does not run evenly without disturbing noise. The coolant must be free of any bubbles.

## 8 Commissioning and normal operation



Before you start, ensure to read and understand the section safety messages and in particular chapter 1 "Safety" of this product manual. Only electrically skilled persons may commission and operate SPINNER SmartLoads in accordance with the national safety and accident prevention regulations. Failure to observe could result in death or serious injury.



### CAUTION

Hot surface

The resistor element heats up during normal operation and may cause burns. Do not remove any covers.

Do not touch the resistor element before cooled down.

For latest maintenance procedures and updates, please check our website <https://www.spinner-group.com/en/products/smart-load-service> regularly at least every six months and register your product there.



Before applying RF power to the SmartLoad electrically skilled persons have to ensure:

- Proper connection of all system connectors.
- Proper functioning of the interlock loop, all relevant transmitters must be connected to the interlock system of the SmartLoad.
- Correct coolant pressure (refer to chapter 7.3).
- Completely deaerated cooling circuit (refer to chapter 9.2).
- Check the rotational direction of heat exchanger radiator fan. The radiator fan must run in direction of arrow. If radiator fan runs in opposite direction, interchange two phases at radiator fan cable.
- Unobstructed air circulation; do not cover the ventilation openings.
- The SmartLoad is switched on, the green indicator lights.
- The clock in the PLC for activation of the maintenance cycle is adjusted correctly.

Open the switch cabinet and set, if applicable, the clock time and date as described in the attached PLC manual 10058594.

During operation, the pump and fan switch on at intervals. The length of the intervals depends on the RF power applied and the ambient temperature.

## 9 Maintenance



Before you start, ensure to read and understand the section safety messages and in particular chapter 1 "Safety" of this product manual. Only trained persons may clean SPINNER SmartLoads in accordance with the national safety and accident prevention regulations. Failure to observe could result in death or serious injury.

### WARNING

Electric shock hazard



Electric shock can cause severe burns and fatal injuries.

Before you start ensure to disconnect your entire system from the power supply.

Utilize appropriate devices and methods to prevent accidental energizing.

The mains connector must be de-energized during plugging.

Do not use any liquids for cleaning.

### WARNING

Entanglement Hazard



The ventilators may entangle hair, clothing or jewelry causing death or serious injury.

Wait until all rotating parts have stopped.

Wear a hair net and close-fitting clothing.

### CAUTION

Hot surface



The resistor element heats up during normal operation and may cause burns.

Do not remove any covers shortly after use of the SmartLoad.

Do not touch the resistor element before cooled down

Detailed maintenance descriptions and videos are available at:

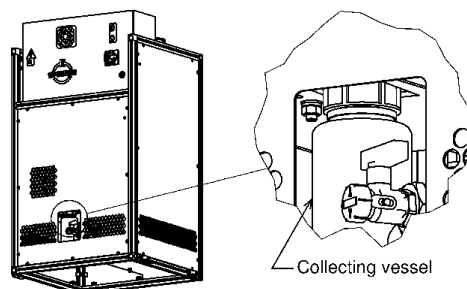
<https://www.spinner-group.com/en/products/smart-load-service>



### Maintenance schedule:

Weekly:

- Check around the SmartLoad for coolant leakage. Check the cooling circuit for leaks.
- The coolant pressure (nominal range 0.75 to 1.1 bar), refer to chapter 7.3 for correction.
- The tightness of the pump. Coolant leaks of a few drops per day and thus a few drops in the collecting vessel are normal and cannot be avoided due to the pump design. If the coolant level in the collecting vessels exceeds some 10 mm, check the pump and operating pressure. Check the coolant level in the collecting vessel, the coolant pressure and the coolant circuit for leakage daily, if the coolant gauge pressure is within the nominal range (0.75 to 1.1 bar) and no reason for the leakage can be found. Contact the SPINNER service in case of permanently increased coolant drain.



- Press pump button on back of electrical cabinet for a few seconds to activate pump for check. Check again for leakage.

Monthly:

- Verify the unobstructed air circulation of the heat exchanger. Remove dust or dirt from the heat exchanger with compressed air or a soft brush.

Quarterly:

- Verify installed software is the most current revision, refer to <https://www.spinner-group.com/en/products/smart-load-service>

Annually:

- Perform functional test on all reject SmartLoads. See video "Functional Test" for detailed instructions, refer to <https://www.spinner-group.com/en/products/smart-load-service>
- Check if the filter on fan of electrical cabinet is saturated with dust. If so, it can be vacuum cleaned or shook out and used again. In dusty environments, we recommend cleaning the filter regularly to avoid decreasing fan performance.
- Check glycol concentration, refer to chapter 9.3.

Every 4 years:

- Exchange coolant, refer to chapter 9.4.

## 9.1 PLC clock time setting



Before you start, ensure to read and understand the section safety messages and in particular chapter 1 "Safety" of this product manual. Only electrically skilled persons may open the control box of SPINNER SmartLoads and set the PLC clock time in accordance with the national safety and accident prevention regulations.

Details are given in the attached separate PLC manual 10058594.

## 9.2 Deaeration of the cooling circuit



Before you start, ensure to read and understand the section safety messages and in particular chapter 1 "Safety" of this product manual. Observe the material data sheet of the coolant. Only qualified personnel may deaerate SPINNER SmartLoad units in accordance with the national safety and accident prevention regulations. Failure to observe could result in death or serious injury.



### **WARNING**

Electric shock hazard

Electric shock can cause severe burns and fatal injuries.

Before you start ensure to disconnect your entire system from the power supply. Utilize appropriate devices and methods to prevent accidental energizing.



**WARNING**

Radio Frequency Hazard

Radio Frequency Power can cause burns, eye injuries and electrical shock. Before you start ensure to disconnect your entire system from the power supply. Utilize appropriate devices and methods to prevent accidental energizing.



**CAUTION**

Hot surface

The resistor element heats up during normal operation and may cause burns. Do not touch the resistor element before cooled down.



**CAUTION**

Poisoning Hazard

Skin or eye contact may cause irritation. Inhaling may irritate the respiratory organs. Avoid skin or eye contact. Do not inhale gases, fumes and aerosols. Observe the attached safety data sheet M36457 of the SmartLoad coolant.



Wear safety gloves



Wear eye protection

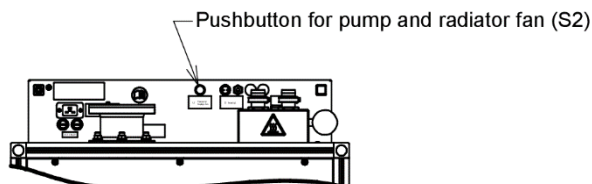
Deaerate the cooling circuit as follows:

1. Deaeration of the cooling circuit:

- Check the gauge pressure of the coolant (nominal value 0.75 to 1.1bar).
- Open the ball valve of the automatic vents. Turn the cap of vent anticlockwise 360 degrees to open the vent.
- Turn on the main switch.

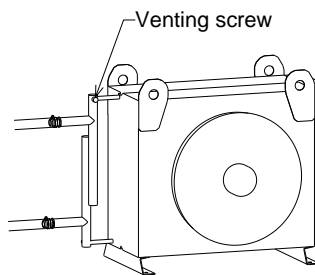
**NOTICE** Pump must not run dry.

- Press the pump and radiator fan button S2 on the back of the control cabinet for two minutes.



- Wait for 3 minutes to allow air bubbles to collect.

2. Deaeration of the external heat exchanger:



- Open venting screw of the external heat exchanger until air can escape.
  - Close venting screw until stop right after coolant escapes.
3. Repeat steps 1 and 2 until no more air appears when opening the venting screw.
  4. Close the ball valve of the automatic vents. Turn the cap of vent clockwise 360 degrees to close the vent.
  5. Check the gauge pressure of the coolant (nominal value 0.75 to 1.1bar).

**NOTICE** Pump must not run dry.

**NOTICE** Pump must run evenly without disturbing noise. Faultless functioning of the SmartLoad can only be guaranteed, if the cooling system is deaerated properly. Repeat deaeration if the pump does not run evenly without disturbing noise. The coolant must be free of any bubbles.

### 9.3 Checking glycol concentration



Before you start, ensure to read and understand the section safety messages and in particular chapter 1 "Safety" of this product manual. Observe the material data sheet of the coolant. Only qualified personnel may check the glycol concentration of SPINNER SmartLoads in accordance with the national safety and accident prevention regulations. Failure to observe could result in death or serious injury.



**WARNING**  
Electric shock hazard  
Electric shock can cause severe burns and fatal injuries.  
Before you start ensure to disconnect your entire system from the power supply. Utilize appropriate devices and methods to prevent accidental energizing.



**WARNING**  
Radio Frequency Hazard  
Radio Frequency Power can cause burns, eye injuries and electrical shock.  
Before you start ensure to disconnect your entire system from the power supply. Utilize appropriate devices and methods to prevent accidental energizing.



**CAUTION**  
Poisoning Hazard  
Skin or eye contact may cause irritation. Inhaling may irritate the respiratory organs. Avoid skin or eye contact. Do not inhale gases, fumes and aerosols. Observe the attached safety data sheet M36457 of the coolant.



Wear safety gloves



Wear eye protection

- Drain a sufficient amount of coolant into a suitable vessel at the drain valve, refer to chapter 7.3.
- Measure glycol concentration with usual antifreeze testing device for ethylene glycol. The optimum glycol concentration is 39 % (equals antifreeze up to -24 °C). Below 34 % glycol concentration (equals antifreeze up to -19 °C) Coolant needs to be replenished, refer to chapter 7.3. Above 44 % glycol concentration (equals antifreeze up to -29 °C) thin down coolant with distilled water, refer to chapter 7.3.
- Check the gauge pressure of the coolant (nominal value 0.75 to 1.1 bar). If necessary, refill coolant refer to chapter 7.3. and deaerate refer to chapter 9.2.

## 9.4 Coolant exchange



Before you start, ensure to read and understand the section safety messages and in particular chapter 1 "Safety" of this product manual. Observe the material data sheet of the coolant. Only qualified personnel may correct the coolant level of SPINNER SmartLoads in accordance with the national safety and accident prevention regulations.

Failure to observe could result in death or serious injury.

### WARNING

Electric shock hazard



Electric shock can cause severe burns and fatal injuries.

Before you start ensure to disconnect your entire system from the power supply.

Utilize appropriate devices and methods to prevent accidental energizing.

Do not to spill any coolant into the housing of the SmartLoad.

### WARNING

Radio Frequency Hazard



Radio Frequency Power can cause burns, eye injuries and electrical shock.

Before you start ensure to disconnect your entire system from the power supply.

Utilize appropriate devices and methods to prevent accidental energizing.

### CAUTION

Poisoning Hazard



Skin or eye contact may cause irritation. Inhaling may irritate the respiratory organs.

Avoid skin or eye contact. Do not inhale gases, fumes and aerosols.

Observe the attached safety data sheet M36457 of the coolant.



Wear safety gloves



Wear eye protection

1. Empty the cooling circuit:
  - Turn off the main switch.
  - Before draining the coolant, make sure the coolant has cooled down to room temperature.
  - Attach hose to the filling/drain nozzle with G ¾" external thread, refer to chapter 7.3. Place the other end of the hose into a suitable collective vessel. There are approx. 26 l coolant in the cooling circuit.
  - Open the ball valve of the automatic vents.
  - Place a suitable collective vessel below the venting screw of the external heat exchanger.
  - Open venting screw of the external heat exchanger.Residual quantities may remain in the cooling circuit.
2. Fill in new coolant.

Required coolant: ANTIFROGEN N, SPINNER BN 39463A (20 l canister), 2 pcs required.

  - Close venting screw of the external heat exchanger.
  - Fill in new coolant, refer to chapter 7.3.
3. Deaerate the cooling circuit, refer to chapter 9.2.

## 10 Warranty

Do not disassemble the SmartLoad. The warranty is void, if the SmartLoad is modified, improperly handled or third party intervention or modification has occurred or the maintenance procedure and intervals were not properly followed.

## 11 Repairs

Troubleshooting and repairs must be only carried out by qualified technical personnel or an instructed person under the direction and supervision of qualified personnel (refer to chapter 1.4 "Qualifications of personnel"). The safety instructions and in particular chapter 1. "Safety" of this product manual must be observed.



Do not open components to avoid the risk of electric shock and personal injury.

Electrically skilled persons may replace tripped mains fuses, check the PLC display, or reset triggered motor protection switches integrated in the inverters:

- If the green and red indicator lamps do not lite up although mains is connected and the main switch is turned on, check the mains inlet fuses. Unplug the mains connector at the back of the control cabinet to get access to the fuses. Turn the fuse holder to the left and pull it out. Replace the tripped fuses size 5x 20 mm:  
BN 546435C0300 250 V AC, 10 A T (time-lag)  
BN 546435C0301 250 V AC, 16 A T (time-lag)
- To check the PLC display, open the control box of the SmartLoad and make sure that the date and time are set correctly and that there are no error messages. Details are given in the attached PLC manual 10058594.
- If the motor protection of the inverter VFD1 or VFD2 has tripped: Turn off the main switch, wait about 30 seconds and then turn on power again.



## 12 Demounting



Before you start, ensure to read and understand the section safety messages and in particular chapter 1 "Safety" of this product manual. Only electrically skilled persons may demount SPINNER SmartLoads in accordance with the national safety and accident prevention regulations. Failure to observe could result in death or serious injury.



### **WARNING**

Electric shock hazard

Electric shock can cause severe burns and fatal injuries.

Before you start ensure to disconnect your entire system from the power supply. Utilize appropriate devices and methods to prevent accidental energizing. Unplug mains connector in de-energized condition.



### **WARNING**

Radio Frequency Hazard

Radio Frequency Power can cause burns, eye injuries and electrical shock.

Before you start ensure to disconnect your entire system from the power supply. Utilize appropriate devices and methods to prevent accidental energizing.



### **CAUTION**

Hot surface

The resistor element heats up during normal operation and may cause burns.

Do not remove any covers shortly after use of the SmartLoad.

Do not touch the resistor element before cooled down.



### **WARNING**

Crushing Hazard

Falling objects may cause death and serious injury.



The SmartLoad is heavy. Use suitable lifting gear and the lifting lugs of the SmartLoad only. The lifting gear must be approved to carry at least 100 kg for lifting the SmartLoad indoor unit and 70 kg for lifting the external heat exchanger. Do not lift the SmartLoad at the RF connector.



Safety shoes are required. If it is necessary to stand below the SmartLoad during installation, safety shoes and hardhat are required.

### 12.1 Disconnect in the following order:

- Interlock loop connector
- Mains cable
- RF connection
- External heat exchanger
- Separate PE conductor

## 12.2 Empty the cooling circuit:



### CAUTION

Poisoning Hazard  
Skin or eye contact may cause irritation. Inhaling may irritate the respiratory organs.  
Avoid skin or eye contact. Do not inhale gases, fumes and aerosols.  
Observe the safety data sheet of the coolant.



Wear safety gloves



Wear eye protection

Empty the cooling circuit, refer to section 1 in chapter 9.4.

**NOTICE** Residual quantities remain in the cooling circuit.

## 13 Disposal

The user is responsible for disposing of the SmartLoad in accordance with the national waste disposal regulations. Improper disassembly or disposal may be hazardous.  
Observe the material data sheet of the coolant.  
Please contact SPINNER in advance, before returning the SmartLoad for disposal.

## 14 Spare Parts

Designation	Order-No.	Qty.
Power cord with IEC 60320-1 C19 socket	BN A77310	1
Interlock cable connector	BN 102964	1
Automatic vent	BN B29689	1
Nozzle adaptor G 3/4" to 13 mm hose	BN A76648	1
ANTIFROGEN N coolant 39% glycol, 20 l	BN 39463A	2

## 15 Accessories

Designation	Order-No.	Qty.
Filling pump set 230 V AC, 50 Hz	BN 155890C0000	1
Filling pump set 115 V AC, 60 Hz	BN 155890C0001	1
Automatic vent	BN B29689	1
Wall hanger support set	BN A76634	1

## 16 Contacts

### **SPINNER GmbH • Headquarters**

Erzgiessereistr. 33  
80335 München  
**Germany**

tel.: +49 89 12601-0  
info@spinner-group.com  
www.spinner-group.com

### **SPINNER Telecommunication Devices Co., Ltd.**

351 Lian Yang Road  
Songjiang Industrial Zone  
Shanghai  
201613 P.R. **China**

tel.: +86 21 577 45377  
info-china@spinner-group.com