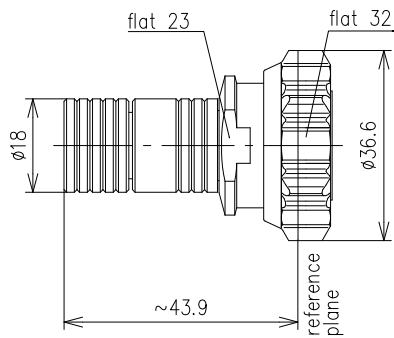


COAXIAL LOAD TYPE 7-16 PLUG



Part number	BN 19 36 90		
Connector type	7-16 plug		
Impedance	50 Ω		
Frequency range	0 - 1 GHz	1 - 3 GHz	3 - 5 GHz
VSWR	≤ 1.02	≤ 1.06	≤ 1.1
Power rating	1 Watt max.		
Material and surface			
Inner conductor	copper alloy	silver-plated	
Outer conductor	copper alloy copper alloy	silver-plated bright-nickel plated	
Other metal parts	copper alloy	bright-nickel-plated	
Insulation	PTFE		
Sealing	silicone rubber		
Standards	IEC 61169-4		
Weight	approx. 0.12 kg		