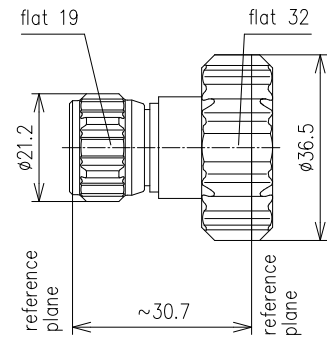


INTER-SERIES ADAPTOR TYPE 7-16 PLUG - N PLUG



| | | | | |
|-----------------------------|---------------------------|-----------|----------------------|-----------|
| Part number | BN 29 38 00 | | | |
| Connector type | 7-16 plug / N plug | | | |
| Impedance | 50 Ω | | | |
| Frequency range | 0 - 2 GHz | 2 - 3 GHz | 3 - 4 GHz | 4 - 8 GHz |
| VSWR | ≤ 1.02 | ≤ 1.04 | ≤ 1.06 | ≤ 1.12 |
| Intermodulation (IM3) 2x20W | ≤ -165 dBc | | | |
| Material and surface | | | | |
| Inner conductor | copper alloy | | silver-plated | |
| Outer conductor | copper alloy | | silver-plated | |
| Other metal parts | copper alloy | | bright nickel-plated | |
| Insulation | PTFE | | | |
| Sealing | silicone rubber | | | |
| Degree of protection | IP68 (mated) | | | |
| Standards | IEC 61169-4, IEC 61169-16 | | | |
| Weight | approx. 0.083 kg | | | |