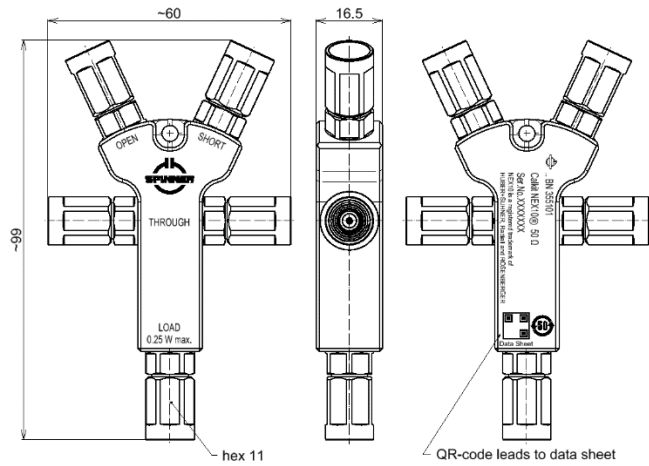


OSLT Compact Calibration Kit (4-in-1) || BN 355101



all dimensions in millimeter

Radio frequency characteristics

Interface type		NEX10® plug per IEC 61169-71
Frequency range		DC to 7.5 GHz
THROUGH	Return loss, min.	34 dB @ DC to 2 GHz 28 dB @ 2 to 6 GHz 24 dB @ 6 to 7.5 GHz
	Insertion loss, max.	0.07 dB x \sqrt{f} (GHz)
OPEN	Phase deviation, max.	3 deg. @ DC to 2 GHz 4 deg. @ 2 to 7.5 GHz
		2.5 deg. @ DC to 2 GHz 3.5 deg. @ 2 to 7.5 GHz
LOAD	DC-resistance	50 Ω ± 0.5 Ω
	Return loss, min.	40 dB @ DC to 2 GHz 34 dB @ 2 to 6 GHz 28 dB @ 6 to 7.5 GHz
		Power rating, max.

Note: NEX10 is a registered trademark of HUBER+SUHNER, Radiall and ROSENBERGER

SPINNER GmbH | This document is proprietary to us. All rights reserved. Any use, transfer, or reproduction of this document or the know-how contained therein requires our express consent.

OSLT Compact Calibration Kit (4-in-1) || BN 355101

Calibration data

Format		Keysight (former Agilent) / Anritsu	Rohde & Schwarz
THROUGH	Electrical delay / length	175.488 ps	52.61 mm
OPEN	C0	1×10^{-15} F	1 fF
	C1	0×10^{-27} F/Hz	0 fF/GHz
	C2	0×10^{-36} F/Hz ²	0 fF/(GHz) ²
	C3	0×10^{-45} F/Hz ³	0 fF/(GHz) ³
	Offset	70.782 ps	21.22 mm
SHORT	L0	0×10^{-12} H	0 pH
	L1	0×10^{-24} H/Hz	0 pH/GHz
	L2	0×10^{-33} H/Hz ²	0 pH/(GHz) ²
	L3	0×10^{-42} H/Hz ³	0 pH/(GHz) ³
	Offset	65.445 ps	19.62 mm
Offset loss		1.5 GΩ/s	

Mechanical characteristics

Center conductor material / surface finish	CuBe age hardened, copper alloy / gold-plated
Outer conductor material / surface finish	CuBe, copper alloy / gold-plated
Insulation	LCP, cross linked polystyrene, PTFE
Other metallic parts / surface finish	aluminium / anodised (blue) copper alloy / nickel-plated
Weight, approx.	0.15 kg
Marking	laser engraving

Component Name	Toxic or Hazardous Substances and Elements					
	Pb	Hg	Cd	Cr 6+	PBB	PBDE
Metal parts	X	O	O	O	O	O

The environmental protection use period of 50 years is valid, if the product is used as intended.

Environmental conditions

Operation	
Ambient temperature range	-10 to +55°C
Storage	
Ambient temperature range	-40 to +70°C (in line with EN 60068-2-1 and EN 60068-2-2)

Scope of delivery and accessories

Scope of delivery	certificate of calibration, protective caps, protective bag, data sheet, handling instructions
-------------------	--