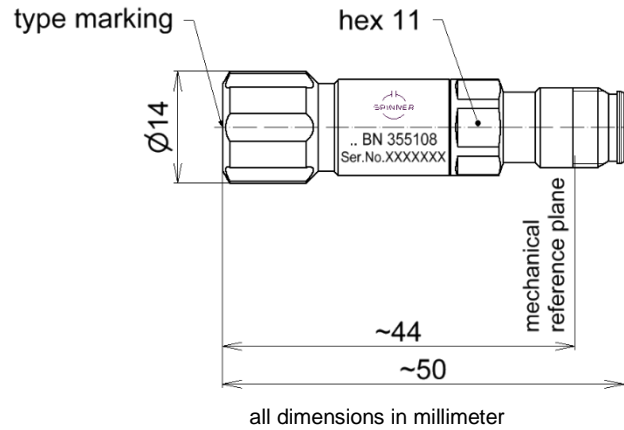


Precision Load || BN 355108R000



**Radio frequency characteristics**

Interface type	NEX10® socket
Frequency range	DC to 20 GHz
Impedance	50 Ω
DC-resistance	50 Ω ± 0.5 Ω
Return loss, min.	40 dB @ DC to 2 GHz 34 dB @ 2 to 6 GHz 28 dB @ 6 to 12 GHz 25 dB @ 12 to 20 GHz
Power rating, max.	0.25 W

Note: NEX10 is a registered trademark of HUBER+SUHNER, Radiall and ROSENBERGER

**Mechanical characteristics**

Center conductor material / surface finish	CuBe age hardened / gold-plated
Outer conductor material / surface finish	copper alloy / gold-plated
Insulation	LCP, PTFE, cross linked polystyrene
Other metallic parts / surface finish	copper alloy / nickel-plated
Weight, approx.	0.13 kg
Marking	laser engraving

**Environmental conditions**

<b>Operation</b>	
Ambient temperature range	+18 to +28°C
<b>Storage</b>	
Ambient temperature range	-40 to +70°C
Relative humidity	95% (non-condensing)

**Scope of delivery and accessories**

Scope of delivery	certificate of calibration, handling instructions
-------------------	---

SPINNER GmbH  
 This document is proprietary to us.  
 All rights reserved. Any use, transfer, or reproduction of this document  
 or the know-how contained therein requires our express consent.