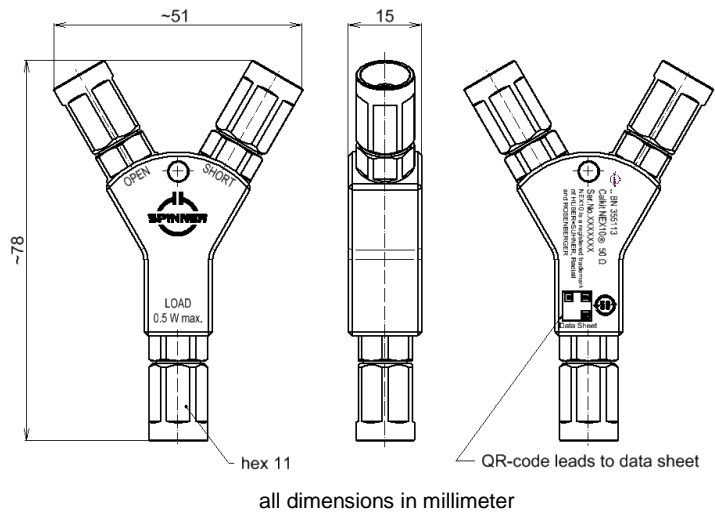


OSL Compact Calibration Kit (3-in-1) || BN 355113



Radio frequency characteristics

Interface type		NEX10® plug per IEC 61169-71
Frequency range		DC to 7.5 GHz
OPEN	Phase deviation, max.	3.5 deg. @ DC to 2 GHz
		4.5 deg. @ 2 to 7.5 GHz
SHORT	Phase deviation, max.	3 deg. @ DC to 2 GHz
		4 deg. @ 2 to 7.5 GHz
LOAD	DC-resistance	50 Ω ± 0.5 Ω
	Return loss, min.	40 dB @ DC to 2 GHz
		34 dB @ 2 to 6 GHz
		28 dB @ 6 to 7.5 GHz
Power rating, max.	0.5 W	

Note: NEX10 is a registered trademark of HUBER+SUHNER, Radiall and ROSENBERGER

Calibration data

Format		Keysight (former Agilent) / Anritsu	Rohde & Schwarz
OPEN	C0	1 x 10 <sup>-15</sup> F	1 fF
	C1	0 x 10 <sup>-27</sup> F/Hz	0 fF/GHz
	C2	0 x 10 <sup>-36</sup> F/Hz <sup>2</sup>	0 fF/(GHz) <sup>2</sup>
	C3	0 x 10 <sup>-45</sup> F/Hz <sup>3</sup>	0 fF/(GHz) <sup>3</sup>
	Offset	70.782 ps	21.22 mm
SHORT	L0	0 x 10 <sup>-12</sup> H	0 pH
	L1	0 x 10 <sup>-24</sup> H/Hz	0 pH/GHz
	L2	0 x 10 <sup>-33</sup> H/Hz <sup>2</sup>	0 pH/(GHz) <sup>2</sup>
	L3	0 x 10 <sup>-42</sup> H/Hz <sup>3</sup>	0 pH/(GHz) <sup>3</sup>
	Offset	65.445 ps	19.62 mm
Offset loss		1.5 GΩ/s	

SPINNER GmbH | This document is proprietary to us. All rights reserved. Any use, transfer, or reproduction of this document or the know-how contained therein requires our express consent.

OSL Compact Calibration Kit (3-in-1) || BN 355113

**Mechanical characteristics**

Center conductor material / surface finish	CuBe age hardened, copper alloy / gold-plated
Outer conductor material / surface finish	copper alloy / CuSnZn-plated
Insulation	LCP, PTFE
Other metallic parts / surface finish	aluminium / anodised (blue) copper alloy / nickel-plated
Weight, approx.	70 g
Marking	laser engraving

Component Name	Toxic or Hazardous Substances and Elements					
	Pb	Hg	Cd	Cr 6+	PBB	PBDE
Metal parts	X	O	O	O	O	O

The environmental protection use period of 50 years is valid, if the product is used as intended.

**Environmental conditions**

<b>Operation</b>	
Ambient temperature range	-10 to +55°C
<b>Storage</b>	
Ambient temperature range	-40 to +70°C (in line with EN 60068-2-1 and EN 60068-2-2)

**Scope of delivery and accessories**

Scope of delivery	protective caps, handling instructions
-------------------	--

SPINNER GmbH  
 This document is proprietary to us.  
 All rights reserved. Any use, transfer, or reproduction of this document  
 or the know-how contained therein requires our express consent.