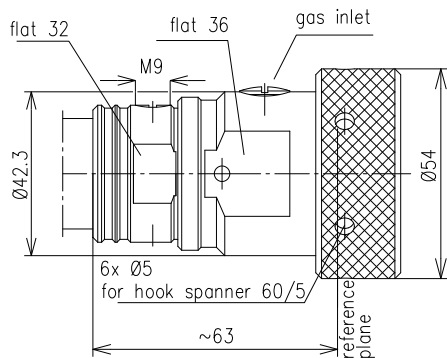


CABLE PLUG FOR AIR DIELECTRIC CABLE 7/8"-TYPE 13-30



Part number	BN 39 87 18		
Connector type	13-30 plug		
Version	CAF®		
Impedance	50 Ω		
Frequency range	0 - 1 GHz	1 - 2 GHz	2 - 2.7 GHz
VSWR	≤ 1.02	≤ 1.03	≤ 1.06
Material and surface			
Inner conductor	copper alloy	silver-plated	
Outer conductor	copper alloy	silver-plated	
Other metal parts	copper alloy	bright nickel-plated	
Insulation	PTFE		
Sealing	silicone rubber, Plast 2000®		
Degree of protection	IP68 (pressure-tight up to 4bar/400kPa)		
Cable compatibility	RFS	HCA 78-50	
Standards	IEC 60169-5		
Installation instructions	M30197		
Weight	approx. 0.46 kg		
Included in delivery	cover, installation instructions		