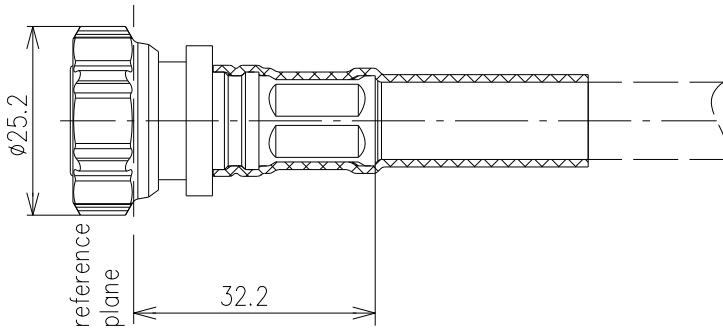


Cable Plug for cable RG8, Type 4.3-10 || BN 431130



all dimensions in millimeter

Interface type	4.3-10 plug screw (50Ω) per IEC 61169-54	
Version	Full Crimp	
VSWR, max.	1.10 @ DC to 2.2 GHz 1.30 @ 2.2 to 6 GHz	
Frequency range	DC to 6 GHz	
Inner conductor material / surface finish	copper alloy / silver plated	
Outer conductor material / surface finish	copper alloy / CuSnZn plated	
Other metal parts / surface finish	copper alloy / CuSnZn plated copper alloy / bright nickel plated	
Insulation	PTFE	
Sealing	silicone rubber	
Cable compatibility	Times Microwave Aircom Benelec Alcatel Ericsson Belden Amphenol	LMR 400 / LMR400-UF Plus 6060 05604 HF 50 2.7/7.3 TZC 500 32 9913 TWB 4001
Installation instructions	M32076	
Weight, approx.	45 g	
Scope of delivery	heat-shrinkable adhesive tubing, installation instructions	
Required tools	jaws for inner conductor crimp hex 3.25 mm acc. to CEI IEC 803 jaws for outer conductor crimp hex 10.9 mm acc. to CEI IEC 803	