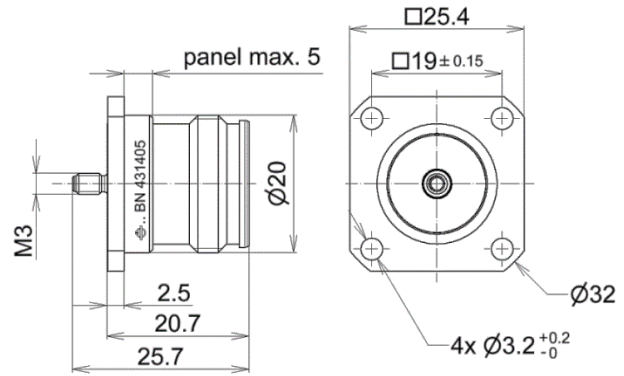


Fixed Socket type 4.3-10 || BN 431405



all dimensions in millimeter

Interface type	4.3-10 socket (50 Ω) per IEC 61169-54
Version	Panel mount
Frequency range	DC to 6 GHz
VSWR, max.	1.02 @ DC to 1.0 GHz 1.04 @ 1.0 to 3.0 GHz 1.10 @ 3.0 to 6.0 GHz
Intermodulation (IM3) 2x20 W, max.	-166 dBc
Inner conductor material / surface finish	copper alloy / silver plated
Outer conductor material / surface finish	copper alloy / CuSnZn plated
Insulation	PTFE
IP protection level	IP68 per EN 60529 (interface connected with appropriate gasket)
Contact captivation torque	15 Ncm
Weight, approx.	40 g

SPINNER GmbH
 This document is proprietary to us.
 All rights reserved. Any use, transfer, or reproduction of this document
 or the know-how contained therein requires our express consent.