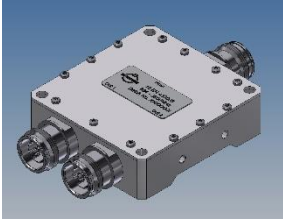
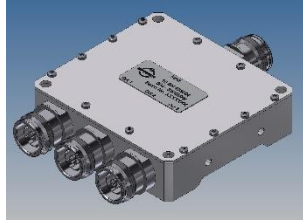


Stripline 2,3,4-Way-Splitter



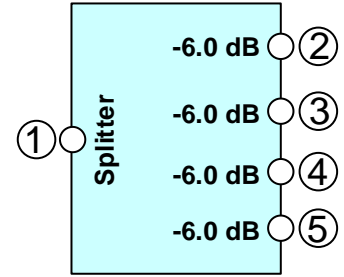
BN 433003



BN 433004



BN 433005



Block diagram
use 433005 as sample

Electrical characteristics

Part number	BN 433003	BN 433004	BN 433005
Splitting ratio	1 : 0.5 : 0.5	1 : 0.33 : 0.33 : 0.33	1 : 0.25 : 0.25 : 0.25 : 0.25
Frequency range	694-3800 MHz		
Insertion loss	694-2700MHz 2700-3800MHz 3.1 dB ± 0.2 dB 3.1 dB ± 0.3 dB (including splitting losses)	4.8 dB ± 0.4 dB 4.8 dB ± 0.5 dB (including splitting losses)	6.2 dB ± 0.6 dB 6.2 dB ± 0.7 dB (including splitting losses)
VSWR	694-2700MHz 2700-3800MHz	≤ 1.3 (Port 1) ≤ 1.4 (Port 1)	
Phase difference	≤ 20°	≤ 120°	≤ 160°
Impedance	50 Ohm		
Power Rating	300 W CW		
Passive intermodulation (IM3), 3rd order @ 2 x 20W	≤ -155 dBc typical ≤ -160 dBc		
DC-by-pass	DC all ports (max. 1A per input max. 60V DC (AISG Standard, 2.0, § 6.4))		

Mechanical characteristics

Connectors	4.3 - 10 socket		
Dimensions, approx.	78.7mm×73.5mm×23.5 mm	82.7mm×89.3mm×23.5mm	85.3mm×118mm×24.1mm
Weight, approx.	0.4 kg	0.52 kg	0.67 kg
Wall / Mast mounting	to be ordered separately under BN B26441	to be ordered separately under BN B26443	to be ordered separately under BN B26444
Color	Grey		

Environmental conditions

Class. of environmental conditions	ETSI EN 300019-1-1 Class 1.2 ETSI EN 300019-1-2 Class 2.3 ETSI EN 300019-1-4 Class 4.1E
Degree of protection	IP 65 Outdoor use
Operation Ambient temperature range	-25 °C to +55 °C
Storage Ambient temperature range	-40 °C to +85 °C
Relative humidity, max.	95% (non-condensing)

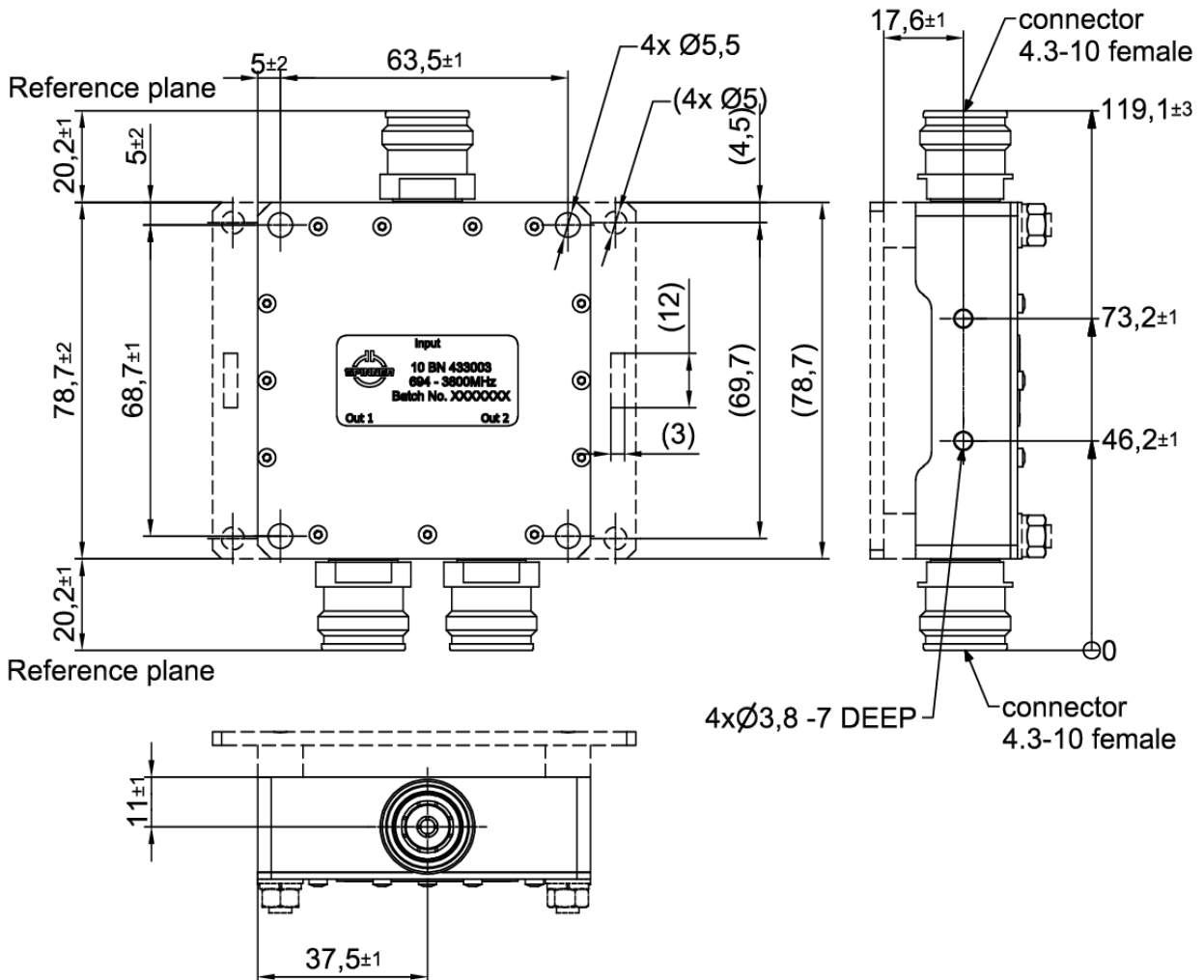
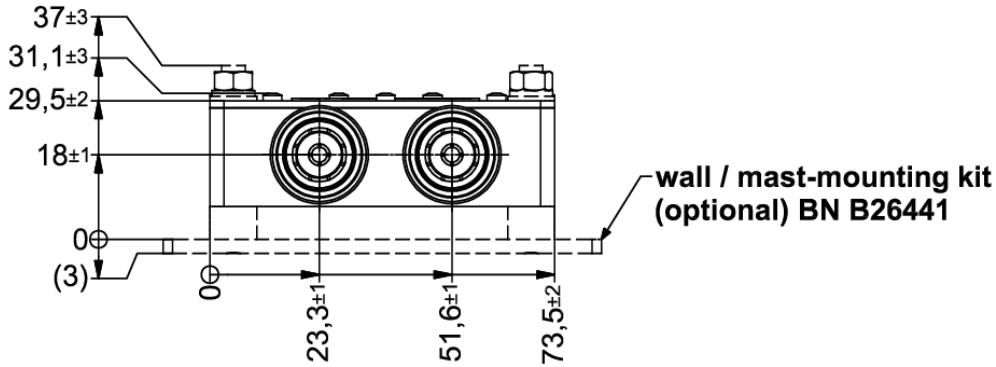
SPINNER GmbH
 This document is proprietary to us.
 All rights reserved. Any use, transfer, or reproduction of this document
 or the know-how contained therein requires our express consent.

Template TD-00002Y

Stripline 2,3,4-Way-Splitter

Outline (all dimensions in millimeter)

BN 433003



Standard:
4.3-10 female (50 ohms): IEC 61169-54

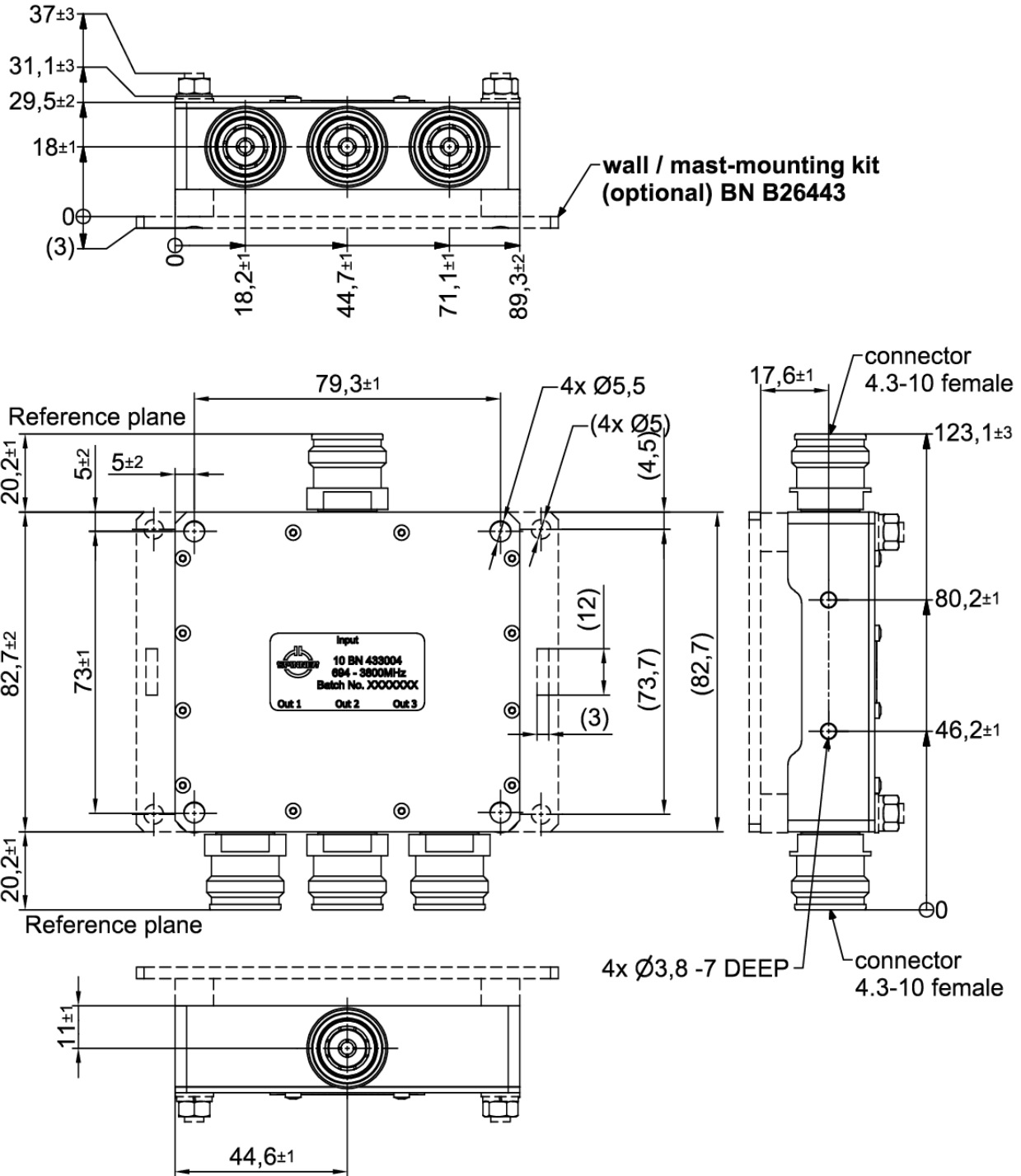
modifications reserved!

SPINNER GmbH
This document is proprietary to us.
All rights reserved. Any use, transfer, or reproduction of this document
or the know-how contained therein requires our express consent.

Template TD-00002Y

Stripline 2,3,4-Way-Splitter

BN 433004



SPINNER GmbH
This document is proprietary to us.
All rights reserved. Any use, transfer, or reproduction of this document
or the know-how contained therein requires our express consent.

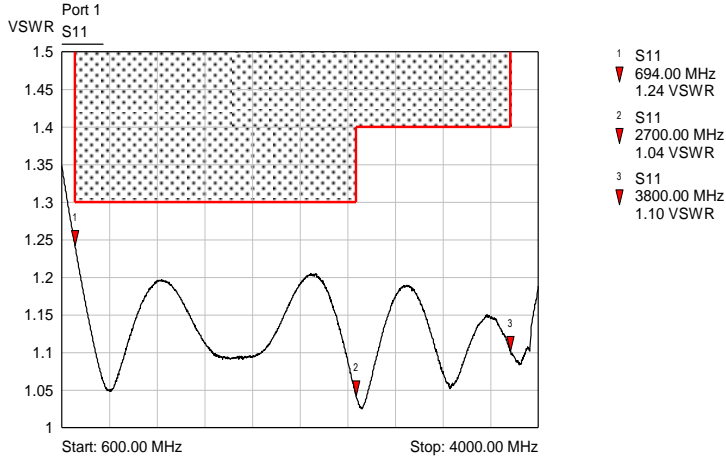
Standard:
4.3-10 female (50 ohms): IEC 61169-54

modifications reserved!

Stripline 2,3,4-Way-Splitter

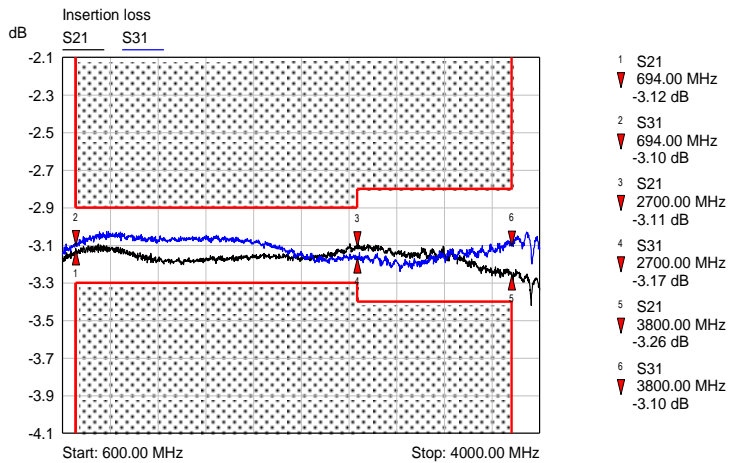
Measurements:

VSWR: (BN 433003)



— typical for: S11

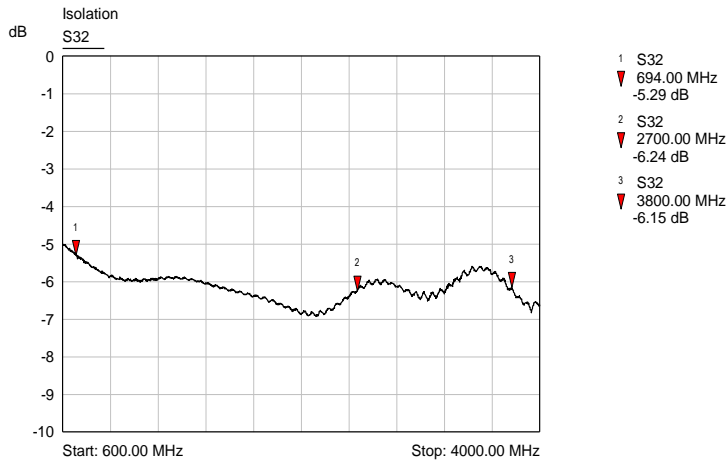
Insertion Loss: (BN 433003)



— typical for: S21

— typical for: S31

Isolation: (BN 433003)



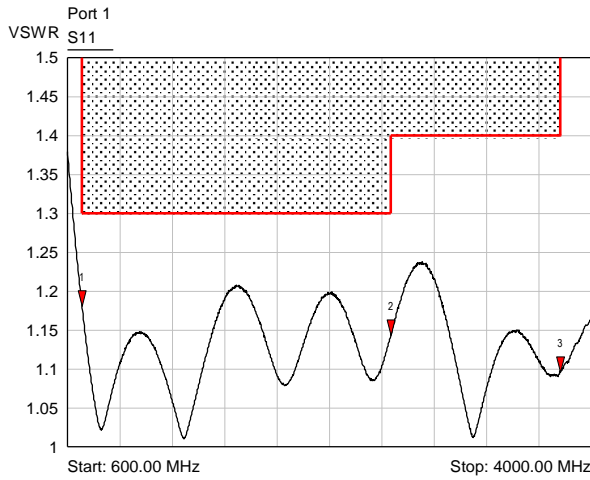
— typical for: S32

SPINNER GmbH
This document is proprietary to us.
All rights reserved. Any use, transfer, or reproduction of this document
or the know-how contained therein requires our express consent.

Template TD-00002Y

Stripline 2,3,4-Way-Splitter

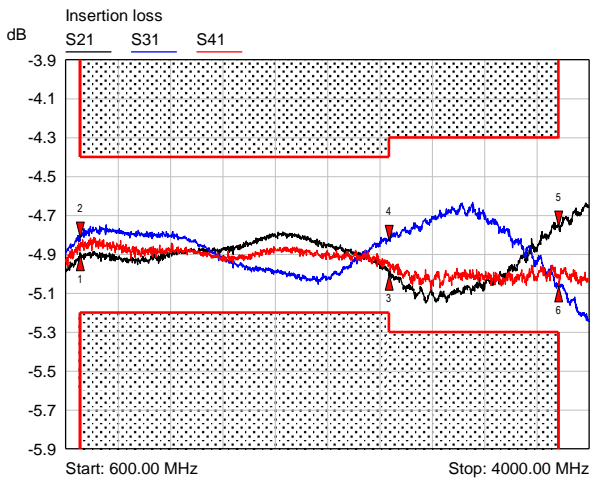
VSWR: (BN 433004)



- 1 S11
▼ 694.00 MHz
1.18 VSWR
- 2 S11
▼ 2700.00 MHz
1.14 VSWR
- 3 S11
▼ 3800.00 MHz
1.10 VSWR

— typical for: S11

Insertion Loss: (BN 433004)



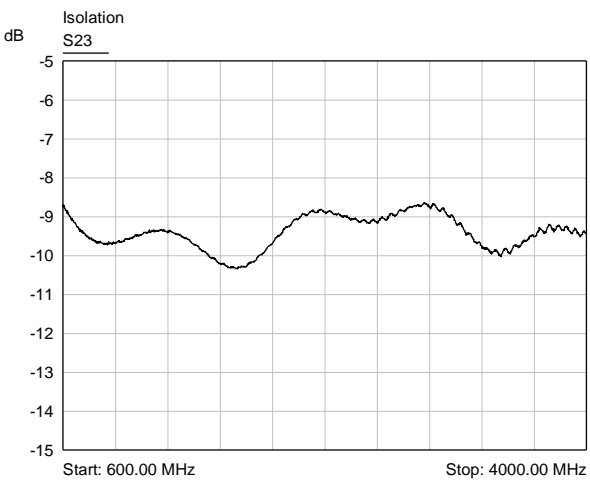
- 1 S21
▼ 694.00 MHz
-4.90 dB
- 2 S31
▼ 694.00 MHz
-4.81 dB
- 3 S21
▼ 2700.00 MHz
-5.00 dB
- 4 S31
▼ 2700.00 MHz
-4.83 dB
- 5 S21
▼ 3800.00 MHz
-4.76 dB
- 6 S31
▼ 3800.00 MHz
-5.06 dB

— typical for: S21

— typical for: S31

— typical for: S41

Isolation: (BN 433004)



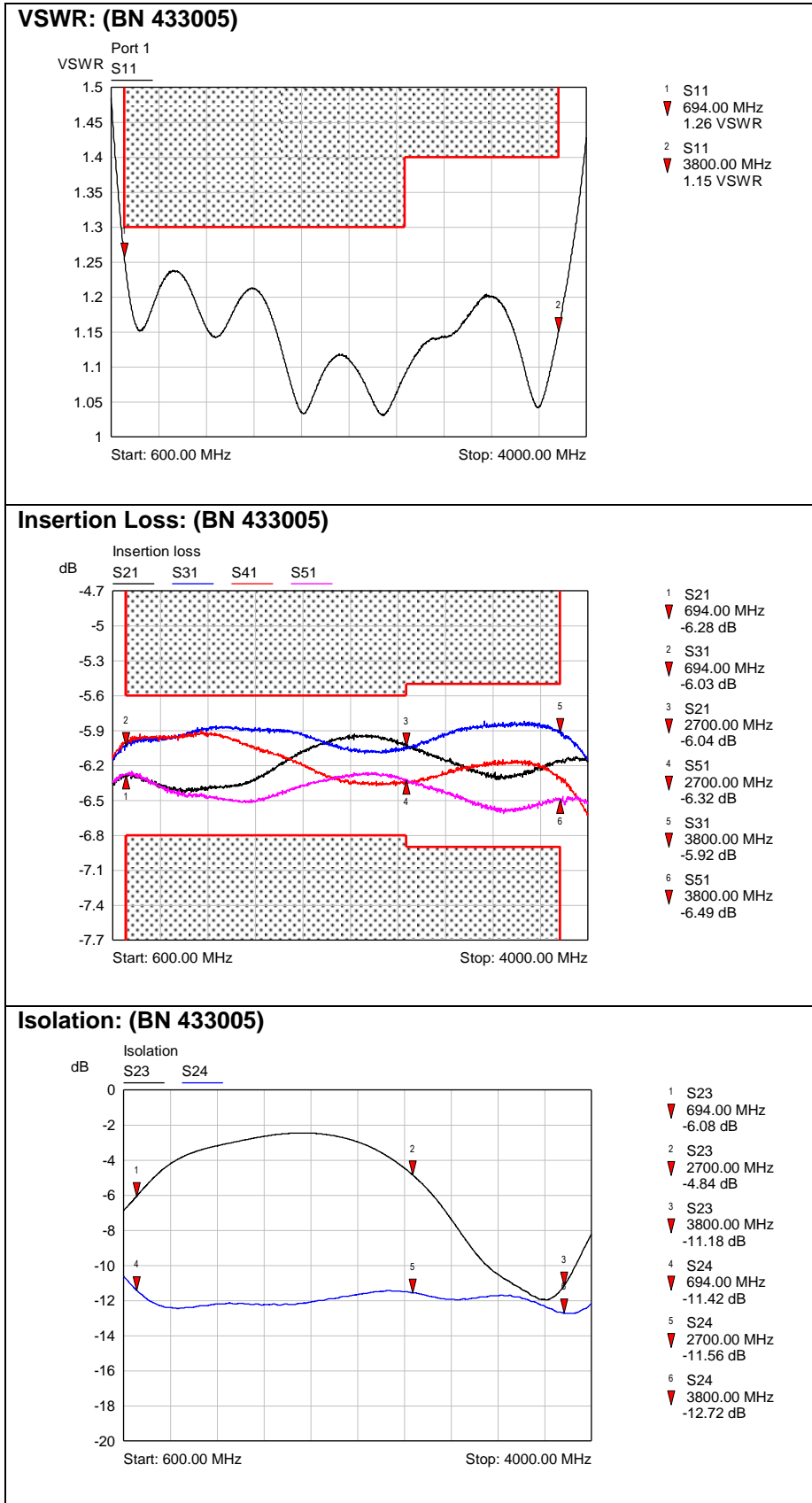
— typical for: S23, S24, S34

SPINNER GmbH
 This document is proprietary to us.
 All rights reserved. Any use, transfer, or reproduction of this document
 or the know-how contained therein requires our express consent.

Template TD-00002Y

Stripline 2,3,4-Way-Splitter

SPINNER GmbH
 This document is proprietary to us.
 All rights reserved. Any use, transfer, or reproduction of this document
 or the know-how contained therein requires our express consent.



— typical for: S11

— typical for: S21

— typical for: S31

— typical for: S41

— typical for: S51

— typical for: S23, S45

— typical for: S24, S25, S34, S35

Template TD-00002Y