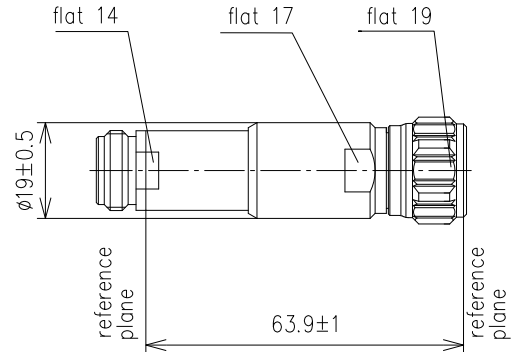


COAXIAL ATTENUATOR



Part number	BN 52 86 24		
Connector type	N plug / N socket		
Power rating	6.5 Watt max. 1)		
Impedance	50 Ω		
Frequency range	0 - 4 GHz	4 - 8 GHz	8 - 12.4 GHz
VSWR	≤ 1.15	≤ 1.27	≤ 1.44
Attenuation	6 ± 0.2 dB		6 ± 0.4 dB
Material and surface			
Inner conductor	CuBe age hardened	silver-plated	
Outer conductor	copper alloy	silver-plated	
Other metal parts	copper alloy	bright nickel-plated	
Insulation	PS		
Sealing	silicone rubber		
Degree of protection	IP40		
Standards	IEC 61169-16		
Ambient temperature	-40 $^{\circ}\text{C}$ - +25 $^{\circ}\text{C}$ full power 1)		
Weight	approx. 0.11 kg		
Operation position	any		

1) The maximum power handling is reduced with rising ambient temperatures as follows

