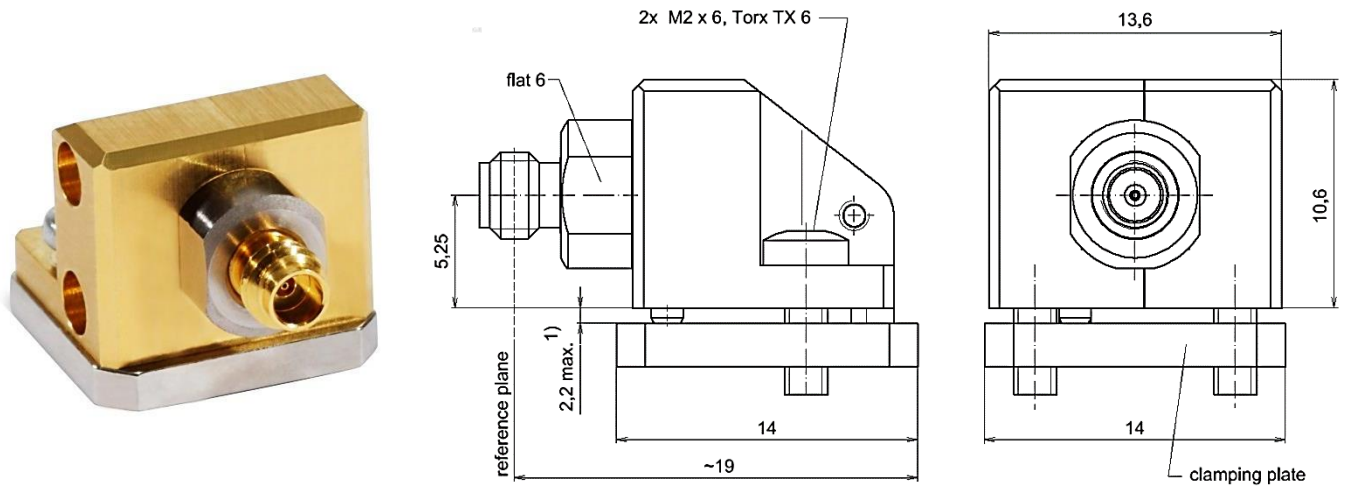


PCB-Launch Connector “SPINNER *EasyLaunch*” || BN 533402C0001



Radio frequency characteristics

Interface type	1.0 mm socket per IEC 61169-31
Frequency range	DC to 110 GHz
Impedance	50 Ω
Return loss, typ.	10 dB @ DC to 110 GHz

Mechanical characteristics

Center conductor material / surface finish	CuBe age hardened / gold-plated
Outer conductor material / surface finish	CuBe, copper alloy / gold-plated
Insulation	PEI
Other metallic parts / surface finish	copper alloy / nickel-plated
Installation type	solderless
PCB thickness 1)	max. 2.2 mm

1) permissible max. PCB thickness expandable with longer screws

Environmental conditions

Operation	
Ambient temperature range	-40 to +85°C

Applicable documents

PCB-Layouts	62424
Installation instruction	M36456