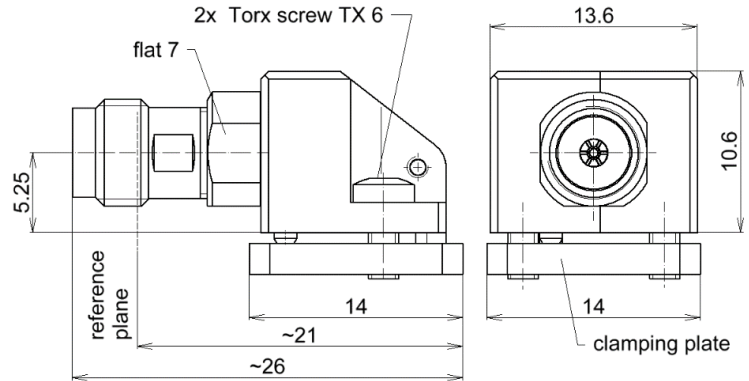


PCB-Launch Connector “SPINNER *EasyLaunch*” || BN 533404



all dimensions in mm

Radio frequency characteristics

Interface type	1.85 mm socket per IEC 61169-32
Frequency range	DC to 70 GHz
Impedance	50 Ω
Return loss, typ.	23 dB @ DC to 26.5 GHz
	19 dB @ 26.5 to 40 GHz
	17 dB @ 40 to 70 GHz

Mechanical characteristics

Center conductor material / surface finish	CuBe age hardened / gold-plated
Outer conductor material / surface finish	CuBe, copper alloy / gold-plated
Insulation	PS, PEI
Other metallic parts / surface finish	copper alloy / nickel-plated
Installation type	solderless

Environmental conditions

Operation	
Ambient temperature range	-40 to +70°C

Applicable documents

PCB-Layouts	62424
Mechanical PCB-Design	D04825-0E
Installation instruction	M36272

This document is proprietary to us. All rights reserved. Any use, transfer, or reproduction of this document or the know-how contained therein requires our express consent.

SPINNER GmbH
 Template TD-00002Y