

ARTICULATED LINE || BN 533638Cxxxx



Versions:

- plug / plug
- plug / socket
- socket / socket

Version plug / plug

**Radio frequency characteristics of articulated line**

Interface type	3.5 mm per IEC 60169-23
Frequency range	DC to 32 GHz
Impedance	50 Ω
Return loss, min.	26 dB @ DC to 4 GHz 17 dB @ 4 to 9 GHz 15 dB @ 9 to 18 GHz 12 dB @ 18 to 26.5 GHz 9 dB @ 26.5 to 32 GHz
Phase stability of S <sub>11</sub> and/or S <sub>22</sub> (at any movement)	±1.9 deg. @ DC to 18 GHz ±2.6 deg. @ 18 to 26.5 GHz ±3.0 deg. @ 26.5 to 32 GHz
Amplitude stability of S <sub>11</sub> and/or S <sub>22</sub> (at any movement)	±0.07 dB @ DC to 18 GHz ±0.12 dB @ 18 to 26.5 GHz ±0.13 dB @ 26.5 to 32 GHz
Phase stability of S <sub>12</sub> and/or S <sub>21</sub> (at any movement)	±0.5 deg. @ DC to 18 GHz ±1.0 deg. @ 18 to 26.5 GHz ±1.5 deg. @ 26.5 to 32 GHz
Amplitude stability of S <sub>12</sub> and/or S <sub>21</sub> (at any movement)	±0.05 dB @ DC to 18 GHz ±0.10 dB @ 18 to 26.5 GHz ±0.15 dB @ 26.5 to 32 GHz
Insertion loss, max.	2.7 dB @ DC to 18 GHz 3.2 dB @ 18 to 26.5 GHz 3.5 dB @ 26.5 to 32 GHz
Power rating, max.	2.5 W

## ARTICULATED LINE || BN 533638Cxxxx

**Radio frequency characteristics of port saver**

Interface type	3.5 mm plug / socket per IEC 60169-23
Frequency range	DC to 32 GHz
Impedance	50 $\Omega$
Return loss, min.	34 dB @ DC to 4 GHz 30 dB @ 4 to 26.5 GHz 26 dB @ 26.5 to 32 GHz

**General mechanical data**

Center conductor material / surface finish	CuBe age hardened, CuBe, copper alloy / gold-plated
Outer conductor material / surface finish	CuBe age hardened, CuBe, copper alloy / gold-plated
Insulation	cross linked polystyrene, PS
Other metallic parts / surface finish	CuBe / CuSnZn-plated copper alloy / gold-plated copper alloy / nickel-plated stainless steel
Typical flex cycles	1.000.000
Weight articulated line, approx.	0.35 kg
Weight port saver, approx.	0.01 kg

**General environmental conditions**

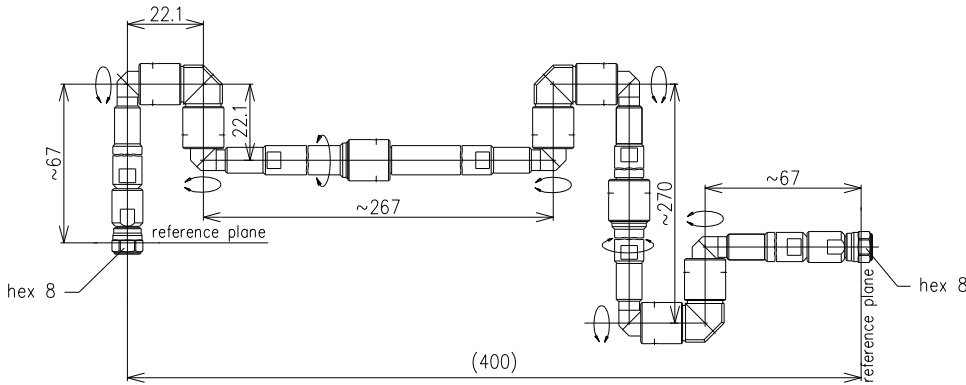
Temperature range	-55 to +85°C
Relative humidity, max.	95% (non-condensing)

**Scope of delivery and accessories**

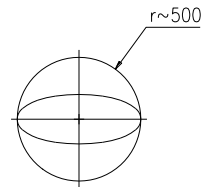
Scope of delivery	storage case, data sheet, handling instructions available configurations see Table 1)
-------------------	--

ARTICULATED LINE || BN 533638Cxxxx

Outline (all dimensions in millimeter)

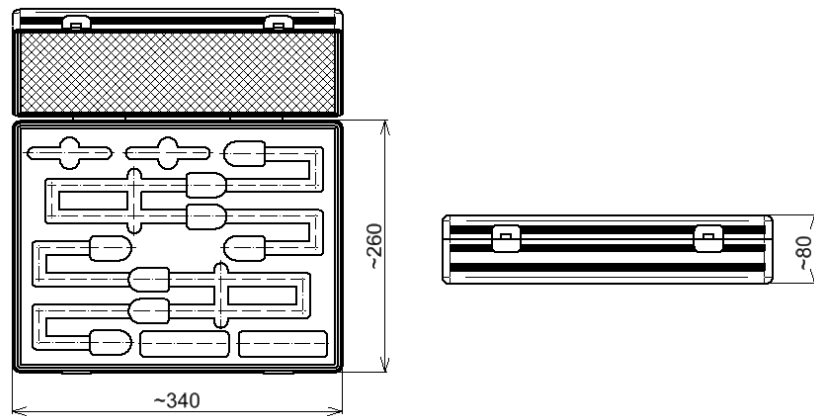


possible variations of mechanical alignment



from the centre of a globe with radius  $\sim 500$  every position is reachable

maximum reachable length from reference plane to reference plane  $\sim 650$  mm.



Available configurations:

Table 1)

Connector size	Line 1 gender combination	Line 2 gender combination	Port Saver 1 gender combination	Port Saver 2 gender combination	Order number
3.5 mm	(m)/(m)	-	(m)/(f)	-	533638C1010
3.5 mm	(m)/(m)	(m)/(m)	(m)/(f)	(m)/(f)	533638C1111
3.5 mm	(m)/(f)	-	(m)/(f)	-	533638C2010
3.5 mm	(m)/(f)	(m)/(f)	(m)/(f)	(m)/(f)	533638C2211
3.5 mm	(f)/(f)	-	(m)/(f)	-	533638C3010
3.5 mm	(f)/(f)	(f)/(f)	(m)/(f)	(m)/(f)	533638C3311