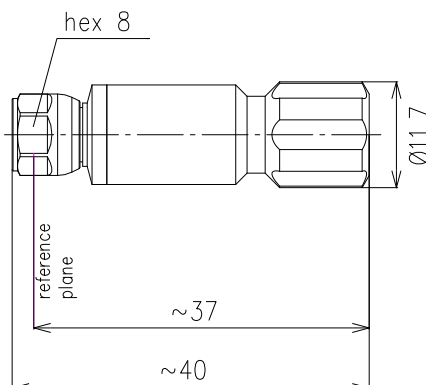


PRECISION LOAD



|                       |                                  |            |               |               |
|-----------------------|----------------------------------|------------|---------------|---------------|
| <b>Part number</b>    | <b>BN 53 37 66 R000</b>          |            |               |               |
| Connector type        | 3.5 mm plug                      |            |               |               |
| Impedance             | 50 Ω                             |            |               |               |
| Frequency range       | 0 - 32 GHz                       |            |               |               |
| Electrical data       |                                  |            |               |               |
| Frequency range       | 0 - 4 GHz                        | 4 - 10 GHz | 10 - 26.5 GHz | 26.5 - 32 GHz |
| Return loss           | ≥ 40 dB                          | ≥ 34 dB    | ≥ 30 dB       | ≥ 28 dB       |
| Power rating          | 0.25 W max.                      |            |               |               |
| DC-resistance         | 50 Ω ±0.5                        |            |               |               |
| Material and surface  |                                  |            |               |               |
| Inner conductor       | CuBe age hardened                |            | gold-plated   |               |
| Outer conductor       | CuBe                             |            | gold-plated   |               |
| Other metal parts     | CuBe                             |            | CuSnZn-plated |               |
|                       | copper alloy                     |            | gold-plated   |               |
| Insulation            | cross linked polystyrene         |            |               |               |
| Standards             | IEC 60169-23                     |            |               |               |
| Operating temperature | +18 °C - +28 °C                  |            |               |               |
| Storage temperature   | -40 °C - +70 °C                  |            |               |               |
| Relative humidity     | 0 - 95% at 40 °C, non-condensing |            |               |               |
| Weight                | approx. 0.02 kg                  |            |               |               |
| Product manual        | M36081                           |            |               |               |
| Included in delivery  | certificate of calibration       |            |               |               |