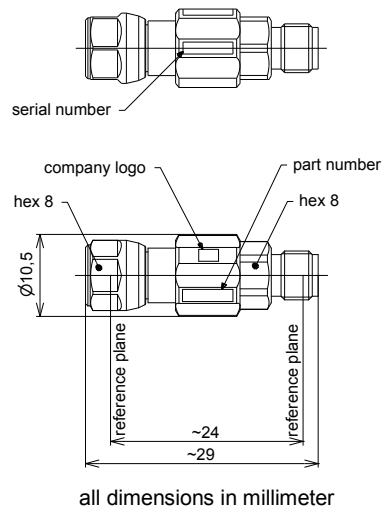


PRECISION THROUGH || BN 533769R000



**Radio frequency characteristics**

Interface type	3.5 mm plug / socket per IEC 60169-23
Frequency range	DC to 32 GHz
Impedance	50 $\Omega$
Return loss, min.	34 dB @ DC to 4 GHz 30 dB @ 4 to 26.5 GHz 26 dB @ 26.5 to 32 GHz

**General mechanical data**

Center conductor material / surface finish	CuBe age hardened / gold-plated
Outer conductor material / surface finish	CuBe / gold-plated
Insulation	PS
Other metallic parts / surface finish	copper alloy / gold plated CuBe / CuSnZn-plated
Weight, approx.	0.01 kg
Marking	laser engraving

**General environmental conditions**

<b>Operation</b>	
Ambient temperature range	+18 to +28°C
<b>Storage</b>	
Ambient temperature range	-40 to +70°C
Relative humidity	0 - 95 % at 40 °C, non condensing

**Scope of delivery and accessories**

Scope of delivery	certificate of calibration, calibration data, handling instructions
-------------------	---