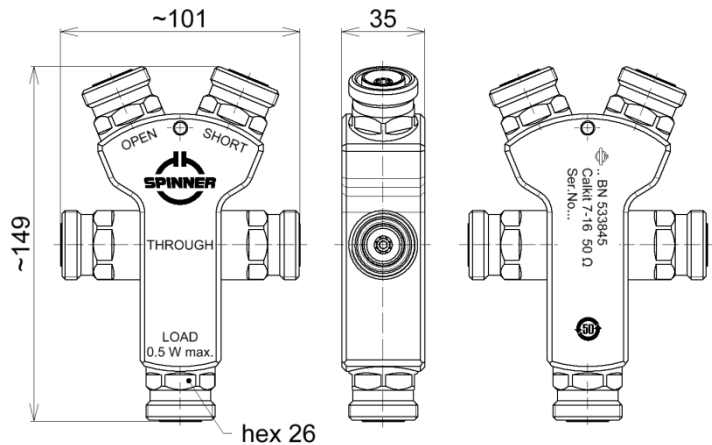


OSLT Compact Calibration Kit (4-in-1) || BN 533845



all dimensions in millimeter

Radio frequency characteristics

Interface type		7-16 socket per IEC 61169-4
Frequency range		DC to 6 GHz
THROUGH	Return loss, min.	34 dB @ DC to 6 GHz
	Insertion loss, max.	0.1 dB @ DC to 6 GHz
OPEN	Phase deviation, max.	1.5 deg. @ DC to 6 GHz
SHORT	Phase deviation, max.	1 deg. @ DC to 6 GHz
LOAD	DC-resistance	50 Ω ± 0.5 Ω
	Return loss, min.	40 dB @ DC to 6 GHz
	Power rating, max.	0.5 W

Calibration data

Format		Keysight / Anritsu	Rohde & Schwarz
THROUGH	Electrical delay / length	375.627 ps	112.61 mm
OPEN	C0	-8.724 x 10 ⁻¹⁵ F	-8.724 fF
	C1	2721 x 10 ⁻²⁷ F/Hz	2.721 fF/GHz
	C2	-479.2 x 10 ⁻³⁶ F/Hz ²	-0.4792 fF/(GHz) ²
	C3	67 x 10 ⁻⁴⁵ F/Hz ³	0.067 fF/(GHz) ³
	Offset	89.195 ps	26.74 mm
SHORT	L0	13.22 x 10 ⁻¹² H	13.22 pH
	L1	-4292 x 10 ⁻²⁴ H/Hz	-4.292 pH/GHz
	L2	337 x 10 ⁻³³ H/Hz ²	0.337 pH/(GHz) ²
	L3	8.35 x 10 ⁻⁴² H/Hz ³	0.00835 pH/(GHz) ³
	Offset	88.761 ps	26.61 mm
Offset Loss		0.5 GΩ/s	

SPINNER GmbH
 This document is proprietary to us.
 All rights reserved. Any use, transfer, or reproduction of this document
 or the know-how contained therein requires our express consent.

OSLT Compact Calibration Kit (4-in-1) || BN 533845

Mechanical characteristics

Center conductor material / surface finish	CuBe age hardened, copper alloy / gold-plated
Outer conductor material / surface finish	copper alloy / CuSnZn-plated
Insulation	cross linked polystyrene
Other metallic parts / surface finish	aluminium / anodised (blue)
Weight, approx.	0.9 kg
Marking	laser engraving

Component Name	Toxic or Hazardous Substances and Elements					
	Pb	Hg	Cd	Cr 6+	PBB	PBDE
Metal parts	X	O	O	O	O	O

The environmental protection use period of 50 years is valid, if the product is used as intended.

Environmental conditions

Operation	
Ambient temperature range	-10 to +55°C
Storage	
Ambient temperature range	-40 to +70°C (in line with EN 60068-2-1 and EN 60068-2-2)

Scope of delivery and accessories

Scope of delivery	calibration certificate, protective caps, protective bag, data sheet, handling instructions
-------------------	---------------------------------------------------------------------------------------------

SPINNER GmbH
 This document is proprietary to us.
 All rights reserved. Any use, transfer, or reproduction of this document
 or the know-how contained therein requires our express consent.