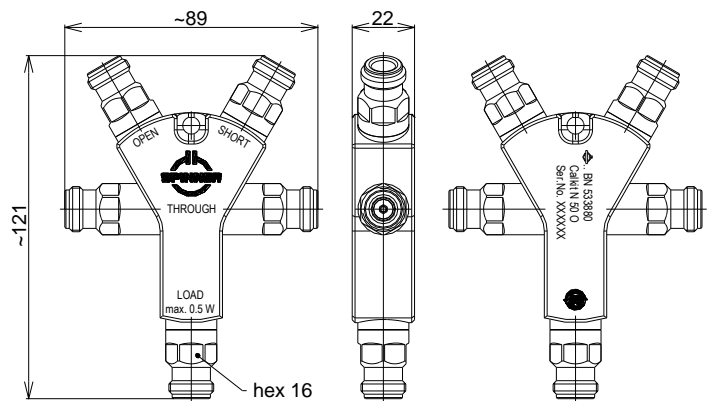


OSLT Compact Calibration Kit (4-in-1) || BN 533880



all dimensions in millimeter

Radio frequency characteristics

Interface type		N socket per IEC 61169-16		
Frequency range		DC to 18 GHz		
THROUGH	Return loss, min.	38 dB @ DC to 4 GHz 34 dB @ 4 to 8 GHz 28 dB @ 8 to 18 GHz		
	Insertion loss, max.	$0.035 \text{ dB} \times \sqrt{f \text{ (GHz)}}$		
OPEN	Phase deviation, max.	2.0 deg. @ DC to 6 GHz 3.0 deg. @ 6 to 9 GHz 4.0 deg. @ 9 to 18 GHz		
		SHORT	Phase deviation, max.	1.5 deg. @ DC to 6 GHz 2.5 deg. @ 6 to 9 GHz 3.0 deg. @ 9 to 18 GHz
				LOAD
42 dB @ DC to 6 GHz 35 dB @ 6 to 9 GHz 32 dB @ 9 to 18 GHz				
Power rating, max.	0.5 W			

SPINNER GmbH  
 This document is proprietary to us.  
 All rights reserved. Any use, transfer, or reproduction of this document  
 or the know-how contained therein requires our express consent.

OSLT Compact Calibration Kit (4-in-1) || BN 533880

**Calibration data**

Format		Keysight / Anritsu	Rohde & Schwarz
THROUGH	Electrical delay / length	244.949 ps	73.43 mm
OPEN	C0	$0.8918 \times 10^{-15} \text{ F}$	0.8918 fF
	C1	$-1200 \times 10^{-27} \text{ F/Hz}$	-1.2 fF/GHz
	C2	$85.41 \times 10^{-36} \text{ F/Hz}^2$	$0.08541 \text{ fF}/(\text{GHz})^2$
	C3	$0.13 \times 10^{-45} \text{ F/Hz}^3$	$0.00013 \text{ fF}/(\text{GHz})^3$
	Offset	85.954 ps	25.77 mm
SHORT	L0	$16.9 \times 10^{-12} \text{ H}$	16.9 pH
	L1	$-5881 \times 10^{-24} \text{ H/Hz}$	-5.881 pH/GHz
	L2	$614.4 \times 10^{-33} \text{ H/Hz}^2$	$0.6144 \text{ pH}/(\text{GHz})^2$
	L3	$-18.52 \times 10^{-42} \text{ H/Hz}^3$	$-0.01852 \text{ pH}/(\text{GHz})^3$
	Offset	85.954 ps	25.77 mm
Offset Loss		0.82 GΩ/s	

**Mechanical characteristics**

Center conductor material / surface finish	CuBe age hardened, copper alloy / gold-plated
Outer conductor material / surface finish	copper alloy / gold-plated
Insulation	cross linked polystyrene, PMP
Other metallic parts / surface finish	aluminium / anodised (blue)
Weight, approx.	0.25 kg
Marking	laser engraving

Component Name	Toxic or Hazardous Substances and Elements					
	Pb	Hg	Cd	Cr 6+	PBB	PBDE
Metal parts	X	O	O	O	O	O

The environmental protection use period of 50 years is valid, if the product is used as intended.

**Environmental conditions**

<b>Operation</b>	
Ambient temperature range	+18 to +28°C
<b>Permissible temperature</b>	
Ambient temperature range	+5 to +40°C
<b>Storage</b>	
Ambient temperature range	-40 to +75°C (in line with EN 60068-2-1 and EN 60068-2-2)

**Scope of delivery and accessories**

Scope of delivery	calibration certificate, protective caps, protective bag, data sheet, handling instructions
-------------------	---

SPINNER GmbH  
 This document is proprietary to us.  
 All rights reserved. Any use, transfer, or reproduction of this document  
 or the know-how contained therein requires our express consent.

Template TD-00003C