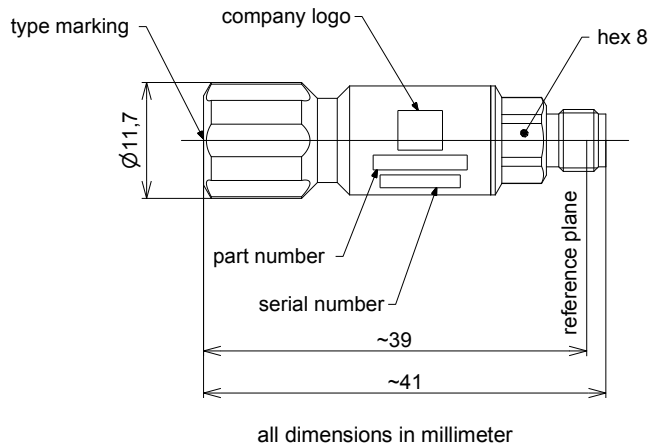


PRECISION LOAD || BN 533902R000



**Radio frequency characteristics**

Interface type	2.92 mm socket per IEEE Std 287
Frequency range	DC to 40 GHz
Impedance	50 Ω
DC-resistance	50 Ω ±0.5 Ω
Return loss, min.	40 dB @ DC to 4 GHz 34 dB @ 4 to 10 GHz 30 dB @ 10 to 26.5 GHz 28 dB @ 26.5 to 32 GHz 25 dB @ 32 to 40 GHz
Power rating, max.	0.25 W

**General mechanical data**

Center conductor material / surface finish	CuBe age hardened / gold-plated
Outer conductor material / surface finish	CuBe / gold-plated
Insulation	cross linked polystyrene
Other metallic parts / surface finish	copper alloy / gold plated
Weight, approx.	0.02 kg
Marking	laser engraving

**General environmental conditions**

<b>Operation</b>	
Ambient temperature range	+18 to +28°C
<b>Storage</b>	
Ambient temperature range	-40 to +70°C
Relative humidity	0 - 95 % at 40 °C, non condensing

**Scope of delivery and accessories**

Scope of delivery	certificate of calibration, calibration data, handling instructions
-------------------	---