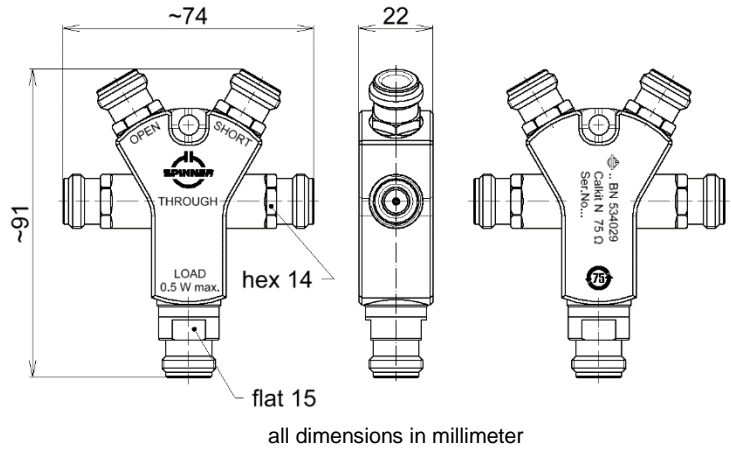


OSLT Compact Calibration Kit (4-in-1) || BN 534029



Radio frequency characteristics

Interface type		N socket (75 ohms) per IEC 61169-16
Frequency range		DC to 12 GHz
THROUGH	Return loss, min.	31 dB @ DC to 4 GHz 28 dB @ 4 to 8 GHz 23 dB @ 8 to 12 GHz
	Insertion loss, max.	$0.04 \text{ dB} \times \sqrt{f \text{ (GHz)}}$
OPEN	Phase deviation, max.	2.5 deg. @ DC to 4 GHz
		3.5 deg. @ 4 to 8 GHz
		4.5 deg. @ 8 to 12 GHz
SHORT	Phase deviation, max.	2 deg. @ DC to 4 GHz
		3 deg. @ 4 to 8 GHz
		4 deg. @ 8 to 12 GHz
LOAD	DC-resistance	$75 \Omega \pm 0.75 \Omega$
	Return loss, min.	38 dB @ DC to 4 GHz
		31 dB @ 4 to 8 GHz
		27 dB @ 8 to 12 GHz
Power rating, max.	0.5 W	

SPINNER GmbH | This document is proprietary to us. All rights reserved. Any use, transfer, or reproduction of this document or the know-how contained therein requires our express consent.

OSLT Compact Calibration Kit (4-in-1) || BN 534029

Calibration data

Format		Keysight (former Agilent) / Anritsu	Rohde & Schwarz
THROUGH	Electrical delay / length	242.001 ps	72.55 mm
OPEN	C0	2×10^{-15} F	2 fF
	C1	0×10^{-27} F/Hz	0 fF/GHz
	C2	0×10^{-36} F/Hz ²	0 fF/(GHz) ²
	C3	0×10^{-45} F/Hz ³	0 fF/(GHz) ³
	Offset	38.193 ps	11.45 mm
SHORT	L0	0×10^{-12} H	0 pH
	L1	0×10^{-24} H/Hz	0 pH/GHz
	L2	0×10^{-33} H/Hz ²	0 pH/(GHz) ²
	L3	0×10^{-42} H/Hz ³	0 pH/(GHz) ³
	Offset	53.537 ps	16.05 mm
Offset loss		1.1 GΩ/s	

Mechanical characteristics

Center conductor material / surface finish	CuBe age hardened, copper alloy / gold-plated
Outer conductor material / surface finish	copper alloy / CuSnZn-plated
Insulation	cross linked polystyrene, PMP, PTFE
Other metallic parts / surface finish	copper alloy / CuSnZn-plated aluminium / anodised (yellow)
Weight, approx.	0.25 kg
Marking	laser engraving

Component Name	Toxic or Hazardous Substances and Elements					
	Pb	Hg	Cd	Cr 6+	PBB	PBDE
Metal parts	X	O	O	O	O	O

The environmental protection use period of 75 years is valid, if the product is used as intended.

Environmental conditions

Operation	
Ambient temperature range	-10 to +55°C
Storage	
Ambient temperature range	-40 to +70°C (in line with EN 60068-2-1 and EN 60068-2-2)

Scope of delivery and accessories

Scope of delivery	calibration certificate, protective caps, protective bag, data sheet, handling instructions
-------------------	---

SPINNER GmbH
 This document is proprietary to us.
 All rights reserved. Any use, transfer, or reproduction of this document
 or the know-how contained therein requires our express consent.