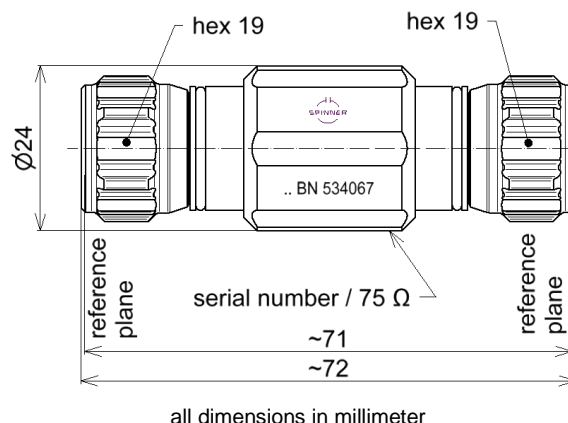


Precision Through || BN 534067R000



Radio frequency characteristics

Interface type	N plug / plug (75 ohms) per IEC 61169-16
Frequency range	DC to 20 GHz
Impedance	75 Ω
Return loss, min.	35 dB @ DC to 4 GHz 31 dB @ 4 to 8 GHz 28 dB @ 8 to 12 GHz 23 dB @ 12 to 20 GHz

Mechanical characteristics

Center conductor material / surface finish	CuBe age hardened / gold-plated
Outer conductor material / surface finish	copper alloy / gold-plated
Insulation	PS
Other metallic parts / surface finish	copper alloy / nickel-plated stainless steel
Weight, approx.	0.14 kg
Marking	laser engraving

Environmental conditions

Operation	
Ambient temperature range	+18 to +28°C
Storage	
Ambient temperature range	-40 to +70°C
Relative humidity	95% (non-condensing)

Scope of delivery and accessories

Scope of delivery	certificate of calibration, calibration data, handling instructions
-------------------	---------------------------------------------------------------------

SPINNER GmbH
 This document is proprietary to us.
 All rights reserved. Any use, transfer, or reproduction of this document
 or the know-how contained therein requires our express consent.