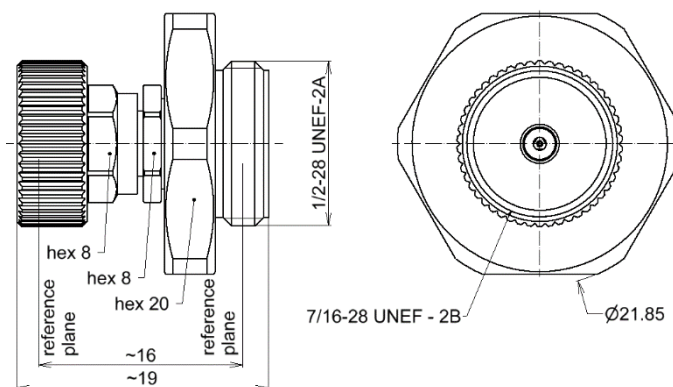


Adapter precision; 1.35 mm plug RUG to 1 mm socket RUG | BN 534974



all dimensions in millimeter

Radio frequency characteristics

Interface type	1.35 mm plug per IEEE Std 287 ruggedized / 1 mm socket per IEC 61169-31 ruggedized
Frequency range	DC to 90 GHz
Characteristic impedance	50 Ω
Return loss, min.	28 dB @ DC to 20 GHz 20 dB @ 20 to 50 GHz 17 dB @ 50 to 70 GHz 14 dB @ 70 to 90 GHz

Mechanical characteristics

Inner conductor material / surface coating	CuBe age hardened / gold-plated
Outer conductor material / surface coating	CuBe / gold-plated copper alloy / gold-plated
Dielectric material	PS
Other parts material / surface coating	CuBe / nickel-plated stainless steel
Weight, approx.	20 g
Marking	laser engraving
Torque for ruggedized coupling nut	M5.5x0.5 – 6H: 0.45 N·m
	1/2-28 UNEF-2A: 1.3 N·m

Environmental conditions

Operation	
Operating environment	indoor
Ambient temperature range	+18 to +28°C
Relative humidity, max.	95% (non-condensing)
Storage	
Ambient temperature range	-40 to +70°C
Relative humidity, max.	95% (non-condensing)

Scope of delivery and accessories

Scope of delivery	protective caps
-------------------	-----------------

SPINNER GmbH
 This document is proprietary to us.
 All rights reserved. Any use, transfer, or reproduction of this document
 or the know-how contained therein requires our express consent.

Template TD-00002.dotx | Issue AB