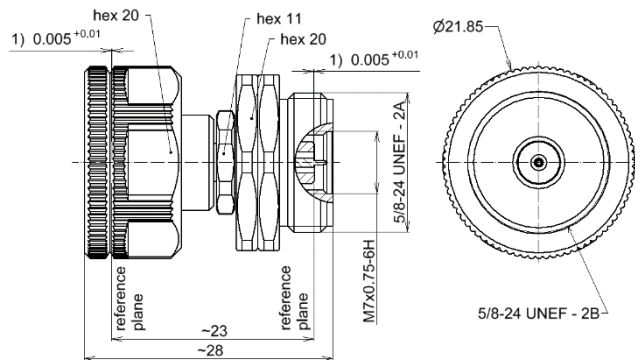


Adapter precision; 2.4 mm plug RUG to 1.85 mm socket RUG | BN 535112



1) Pin depth (inner conductor recessed)

all dimensions in millimeter

Radio frequency characteristics

Interface type	2.4 mm plug per IEEE Std 287, ruggedized / 1.85 mm socket per IEC 61169-32, ruggedized
Frequency range	DC to 50 GHz
Characteristic impedance	50 Ω
Return loss, min.	32 dB @ DC to 4 GHz 28 dB @ 4 to 18 GHz 23 dB @ 18 to 32 GHz 20 dB @ 32 to 44 GHz 18 dB @ 44 to 50 GHz

Mechanical characteristics

Inner conductor material / surface coating	CuBe age hardened / gold-plated
Outer conductor material / surface coating	CuBe / gold-plated
Dielectric material	PS
Other parts material / surface coating	CuBe / nickel-plated stainless steel
Weight, approx.	50 g
Marking	laser engraving
Torque for ruggedized coupling nut	M7x0.75 - 6H: 0.45 N·m
	5/8-24 UNEF-2A: 1.3 N·m

Environmental conditions

Operation	
Operating environment	indoor
Ambient temperature range	+18 to +28°C
Relative humidity, max.	95% (non-condensing)
Storage	
Ambient temperature range	-40 to +70°C
Relative humidity, max.	95% (non-condensing)

Scope of delivery and accessories

Scope of delivery	protective caps
-------------------	-----------------