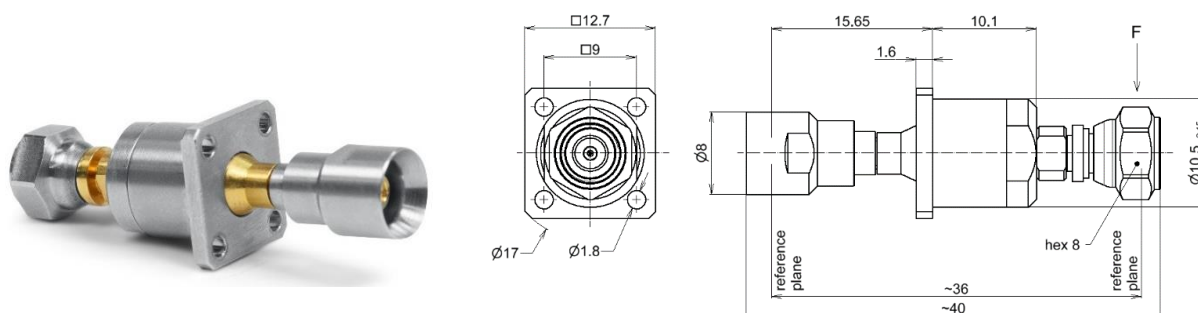
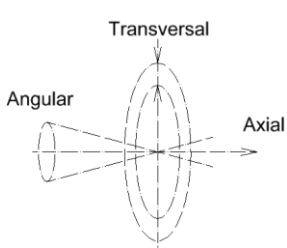


Adapter; 1.35 mm plug push pull-non locking to 1.35 mm plug | BN 535301



all dimensions in millimeter

Radio frequency characteristics

Interface type	1.35 mm plug per IEEE Std 287	
Version	push-pull non locking, four-hole flange	
Frequency range	DC to 90 GHz	
Characteristic impedance	50 Ω	
Return loss, min.	25 dB @ DC to 26.5 GHz	
	20 dB @ 26.5 to 70 GHz	
	15 dB @ 90 to 90 GHz	
Misalignment corrections		
Transversal	± 0.5 mm	
Axial		
S1: Stroke for centering	2.5 mm	
S2: Working range for el. measurement	1 mm	
Angular	$\pm 0.5^\circ$	
Axial force during centering, approx.	6 N (at stroke 3 mm)	
Axial force during measurement, approx.	9 N (at stroke 6 mm)	
Permissible, transversal force (F), max.	1 N	
Lifetime	10,000 matings ¹⁾	
Inner conductor material / surface coating	CuBe age-hardened / gold plated	
Outer conductor material / surface coating	CuBe / gold plated copper alloy / gold plated	
Other metal parts / surface coating	copper alloy / CuSnZn plated CuBe / CuSnZn plated	
Dielectric material	PS	
Weight, approx.	15 g	
Ambient temperature range	+5 °C to +40 °C (indoor)	

1) In order to ensure best possible measurement result, cleaning has to be assessed and executed by professional staff on a regular basis.