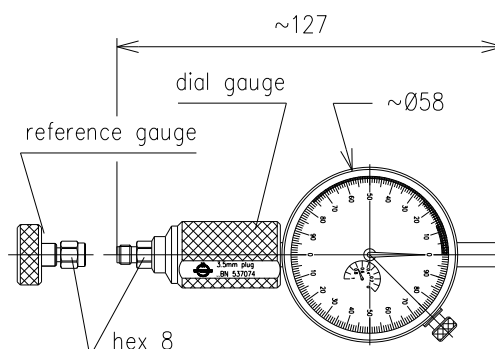


DIAL GAUGE



<b>Part number</b>	<b>BN 53 70 74</b>	
Connector type	3.5 mm plug	
Standards	IEC 60169-23	
Range of tolerance	LPC	GPC
	0 - 0.013 mm	0 - 0.076 mm
Mechanical data		
Gauge range	1 mm	
Scale gradation	0.001 mm	
Measurement accuracy	0.003 mm	
Material		
Dial gauge	stainless steel	
Temperature range	+18 °C - +28 °C	
Weight	approx. 0.29 kg	
Handling instructions	M31069	
Included in delivery	certificate of calibration, storage box	