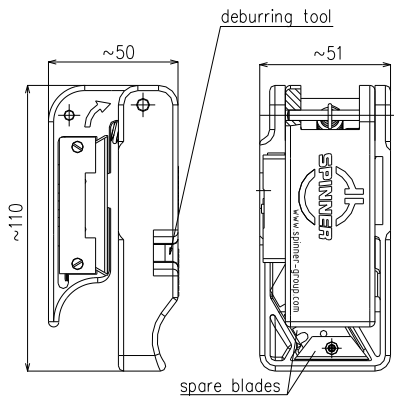


Trimming Tool SF 1/2"-50 || BN 541354



all dimensions in millimeter

Cable type	SF 1/2"-50	
Connector type	MultiFit™	
Material		
Plastic parts	Polycarbonate with 20% GF	
Blades	stainless steel / no finish	
Spring and pins	stainless steel / no finish	
Colour	blue	
Cable compatibility	SPINNER Acome Andrew Draka Eupen Hansen Hengxin Leoni LS Cable RFS	SPINNERFlex™ SF1/2"-50 HPL50-1/2SF FSJ4-50B RFF 1/2"-50 EC4-50-HF RF50 1/2"S HRCAY-50-9 FlexLine1/2"S HFSC 12D SCF12-50
Installation instructions	M32108	
Weight, approx.	220 g	
Scope of delivery	Spare blades, installation instructions	