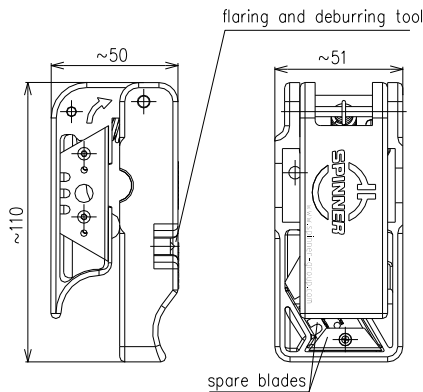


Trimming Tool LF 1/2"-50 || BN 541387



all dimensions in millimeter

Cable type	LF 1/2"-50	
Connector type	MultiFit™	
Material		
Plastic parts	Polycarbonate with 20% GF	
Blades	stainless steel / no finish	
Spring and pins	stainless steel / no finish	
Colour	blue	
Cable compatibility	SPINNER Andrew Acome Draka Eupen Hansen Hengxin Leoni LS Cable RFS	SPINNERFlex® LF1/2"-50 LDF4-50A HPL50-1/2 F RFA 1/2"-50 EC4-50 RF 50 1/2" HCAAY-50-12 FlexLine 1/2"R HFC 12D Flexible Foam LCF 12-50, LCF 12-50L
Installation instructions	M32109	
Weight, approx.	200 g	
Scope of delivery	Spare blades, installation instructions	