

## 10 kW SmartLoad | BN 546423C0200, BN 546423C0201

Coaxial load with intelligent control:

- Standby function
- Pump and fan activated only when needed
- Super fast self protection
- Interlock signal
- Single phase power supply
- Rear and side walls can be covered



(typical design)

### Operating modes

Standby and RF power approx. 20 W	natural cooling without pump or fan *
RF power approx. 20 W to approx. 800 W	pump and fan intermittently with variable speed *
RF power approx. 800 W to 10 kW	pump and fan with full speed *

\* Depending on the ambient temperature and the RF power applied, the pump and/or fan can switch on at any time and switch off again according to the required cooling capacity.

### Radio frequency characteristics

Interface type	3 1/8" EIA (50 Ω) per IEC 60339-2, facing upwards
Frequency range	DC to 860 MHz
Average power rating, max.	10 kW
Proof voltage, max.	17 kV
VSWR, max.	1.04 @ DC to 108 MHz or 1.04 @ 108 to 470 MHz or 1.04 @ 470 to 860 MHz or 1.08 @ DC to 860 MHz

### Cooling Aggregate

Part number	BN 546423C0200	BN 546423C0201
Mains supply:	Mains voltage Mains frequency Real power consumption Nominal current, max.	230 V ±10%, L, N, PE 50/60 Hz 25 W (standby), 0.8 kW (full operation) 3.5 A
		115 V ±10%, L, N, PE 50/60 Hz 25 W (standby), 0.8 kW (full operation) 5.5 A
Mains panel connector	male power socket, chassis type with fuse, acc. IEC 60320-1 (C14)	
Interlock loop connection	two-pole connector with screwlocking acc. IEC 60130-9, Co. Binder, series 581/680/682, TYP 09-0303-00-02	
Interlock loop contact load	ES1 type per IEC 62368-1 max. 42.4 V AC <sub>pk</sub> / 60 V DC max. 1 A	
Heat exchanger	10 kW special SPINNER single ventilator type	
Noise level, approx.	78 dB (A)	
Product Manual	20849A	
Weight, approx.	85 kg	

SPINNER GmbH  
This document is proprietary to us.  
All rights reserved. Any use, transfer, or reproduction of this document  
or the know-how contained therein requires our express consent.

Template TD-00003 | H

## 10 kW SmartLoad | BN 546423C0200, BN 546423C0201

### Environmental conditions

Operation	
Operational environment	operating sites with limited access, indoor only
Ambient temperature range	-10 to +45°C
Relative humidity, max.	95% (non-condensing)
Altitude, max.	2286 m
IP protection level	IP20 per EN 60529
Storage and transport	
Ambient temperature range	-20 to +70°C
Relative humidity, max.	95% (non-condensing)

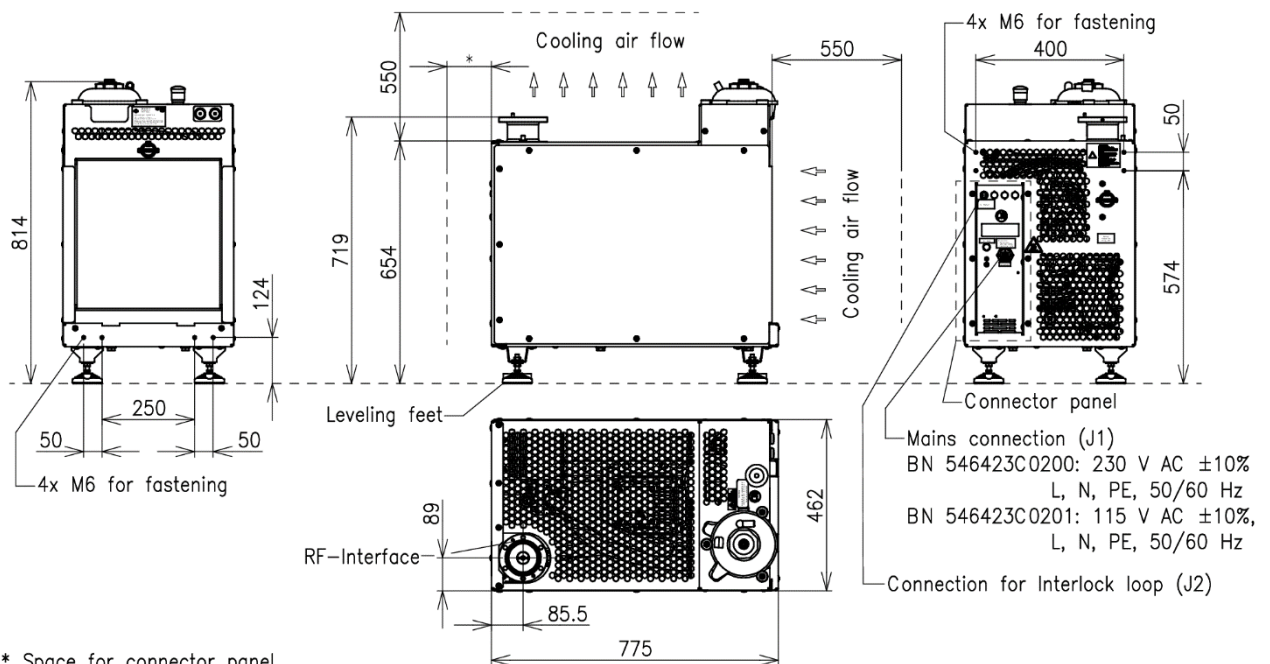
### Coolant

Capacity of cooling circuit, approx.	6 litres (dummy load supplied in filled state)
Chemical composition, brand	mixture of distilled water, 39 Vol. % ethylene glycol and corrosion inhibitor, ANTIFROGEN N
Density (temperature sensitive)	1.054 kg/dm <sup>3</sup> @ +20°C

### Scope of delivery and accessories

Scope of delivery	mains cable connector interlock cable connector product manual material safety data sheet of the coolant	
Spare parts	mains cable connector interlock cable connector coolant 30 litres canister ANTIFROGEN N	BN 071797 BN 102964 BN A74423

### Outline (all dimensions in millimeter)



SPINNER GmbH  
 This document is proprietary to us.  
 All rights reserved. Any use, transfer, or reproduction of this document  
 or the know-how contained therein requires our express consent.

SPINNER GmbH  
 This document is proprietary to us.  
 All rights reserved. Any use, transfer, or reproduction of this document  
 or the know-how contained therein requires our express consent.