

## 50 kW SmartLoad | BN 546430C0300

Coaxial load with intelligent control:

- Standby function
- Pump and fan activated only when needed
- Super fast self protection
- Potential-free interlock contact
- Single phase power supply
- Rear and side walls can be covered
- Outdoor heat exchanger
- Pressurized cooling circuit



Indoor load unit



Outdoor heat exchanger

### Operating modes

Standby and RF power to approx. 80 W	natural cooling without pump or fan *
RF power approx. 80 W to approx. 800 W	pump only *
RF power approx. 800 W to 50 kW	pump and fan *

\* Depending on the ambient temperature and the RF power applied, the pump and/or fan can switch on at any time and switch off again according to the required cooling capacity.

### Radio frequency characteristics

Interface type	6 1/8" EIA (50 Ω) per IEC 60339-2, facing upwards
Frequency range	DC to 790 MHz
Average power rating, max.	50 kW
Proof voltage, max.	17 kV
VSWR, max.	1.04 @ DC to 108 MHz or 1.04 @ 108 to 470 MHz or 1.04 @ 470 to 790 MHz or 1.08 @ DC to 790 MHz

### Cooling Aggregate

Mains supply:	Mains voltage Mains frequency Real power consumption Nominal current, max.	187 to 264 V, L, N, PE (or L+, L-, Ground) 50 / 60 Hz 50 W (standby), 3.1 kW (full operation) 15.5 A
Mains panel connector		male power socket, acc. IEC 60320-1 (C20)
Interlock loop connection		two-pole connector with screwlocking acc. IEC 60130-9, Co. Binder, series 581/680/682, TYP 09-0303-00-02, or at termination block inside control box
Interlock loop contact load		ES1 type acc. to IEC 62368-1 max. 42.4 V ACpk / 60 V DC max. 1 A
Heat exchanger		50 kW special SPINNER single ventilator type
Acoustic emission (for max. RF power)	Indoor load unit sound pressure level, approx. 65 dB (A) @ 1 m distance	Outdoor heat exchanger sound pressure level, approx. 48 dB (A) @ 10 m distance
Product Manual		10086225
Maximum distance indoor unit / heat exchanger		10 m
Max. height difference indoor unit / heat exchanger		3.5 m
Pressure of cooling system		0.75 to 1.1 bar
Weight, approx.		290 kg

SPINNER GmbH  
 This document is proprietary to us.  
 All rights reserved. Any use, transfer, or reproduction of this document  
 or the know-how contained therein requires our express consent.

Template TD-00003 | K

## 50 kW SmartLoad | BN 546430C0300

### Environmental conditions

Operation	
Operational environment	operating sites with limited access, indoor only
Ambient temperature range	-10 to +45°C
Relative humidity, max.	95% (non-condensing)
Altitude, max.	2286 m
IP protection level	IP20 per EN 60529
Storage and transport	
Ambient temperature range	-20 to +70°C
Relative humidity, max.	95% (non-condensing)

### Coolant

Capacity of cooling circuit, approx.	30 l (dummy load supplied in filled state)
Chemical composition, brand	mixture of distilled water, 39 Vol. % ethylene glycol and corrosion inhibitor, ANTIFROGEN N
Density (temperature sensitive)	1.054 kg/dm <sup>3</sup> @ +20°C

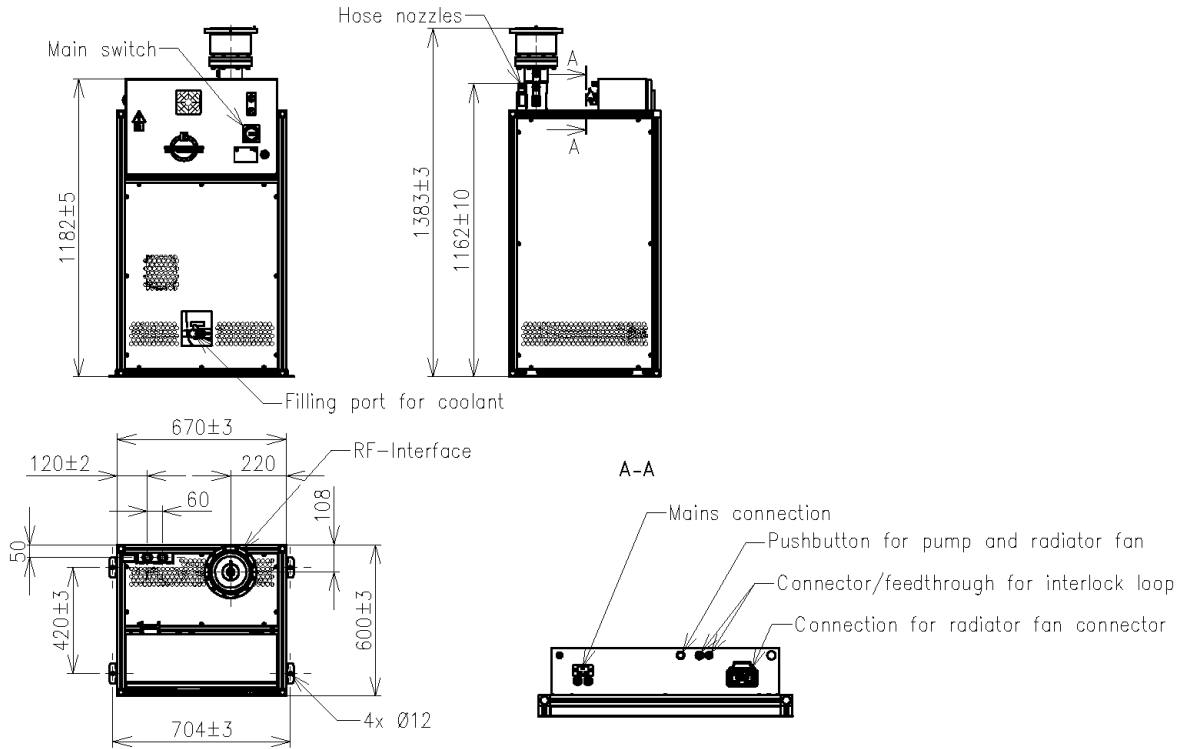
### Scope of delivery and accessories

Scope of delivery	dummy load indoor unit outdoor heat exchanger with 10 m hard-wired cable power cord with IEC 60320-1 C19 socket (pigtail) interlock cable connector product manual material safety data sheet of the coolant 20 m hose to connect indoor unit to outdoor heat exchanger 2 pcs automatic vents 60 l coolant 1 set of clamps, etc. to connect hoses	
Spare parts	power cord with IEC 60320-1 C19 socket (pigtail) interlock cable connector coolant 20 l canister ANTIFROGEN N 39% glycol automatic vent	BN A77310 BN 102964 BN 39463A BN B29689
Accessories	filling pump set 230 V AC, 50 Hz filling pump set 115 V AC, 60 Hz wall hanger support set	BN 155890C0000 BN 155890C0001 BN A76789C0001

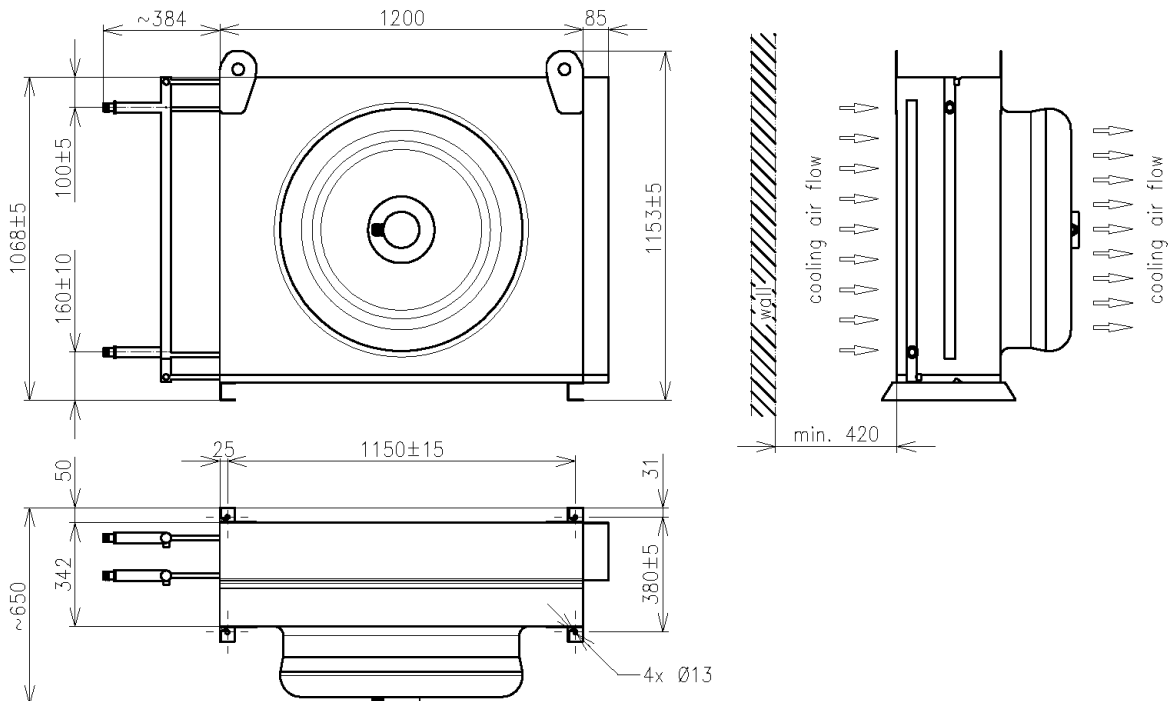
## 50 kW SmartLoad | BN 546430C0300

### Outline (all dimensions in millimeter)

#### Indoor load unit



#### Outdoor heat exchanger



SPINNER GmbH  
 This document is proprietary to us.  
 All rights reserved. Any use, transfer, or reproduction of this document  
 or the know-how contained therein requires our express consent.