

25 kW SmartLoad || BN 546435C0000, BN 546435C0001

Coaxial load with intelligent control:

- Standby function
- Pump and fan activated only when needed
- Super fast self protection
- Interlock signal
- Single phase power supply
- Rear and side walls can be covered
- Outdoor heat exchanger
- Pressurized cooling circuit



Indoor load unit



Outdoor heat exchanger

Operating modes

Standby and RF power approx. 80 W	natural cooling without pump or fan *
RF power approx. 80 W to approx. 800 W	pump only *
RF power approx. 800 W to 25 kW	pump and fan *

* Depending on the ambient temperature and the RF power applied, the pump and/or fan can switch on at any time and switch off again according to the required cooling capacity.

Radio frequency characteristics

Interface type	3 1/8" EIA (50 Ω) per IEC 60339-2, facing upwards (4 1/2" EIA necessary for P ≥ 23kW and f ≥ 700 MHz; order adapter BN 715010)
Frequency range	DC to 860 MHz
Average power rating, max.	25 kW
Proof voltage, max.	17 kV
VSWR, max.	1.04 @ DC to 108 MHz or 1.04 @ 108 to 470 MHz or 1.04 @ 470 to 860 MHz or 1.08 @ DC to 860 MHz

Cooling Aggregate

Part number	BN 546435C0000	BN 546435C0001
Mains supply:	Mains voltage Mains frequency Real power consumption Nominal current, max.	Mains voltage Mains frequency Real power consumption Nominal current, max.
Mains panel connector	male power socket, acc. IEC 60320-1 (C20)	
Interlock loop connection	two-pole connector with screwlocking acc. IEC 60130-9, Co. Binder, series 581/680/682, TYP 09-0303-00-02, or at termination block inside control box	
Interlock loop contact load	SELV per IEC 60950-1 max. 42.4 V AC _{pk} / 60 V DC max. 1 A	
Heat exchanger	25 kW special SPINNER single ventilator type	
Noise level, approx.	Indoor load unit 65 dB (A) @ 1 m distance	Outdoor heat exchanger 46 dB (A) @ 10 m distance
Product Manual	M36441	
Maximum distance indoor unit / heat exchanger	10 m	
Max. height difference indoor unit / heat exchanger	3.5 m	
Pressure of cooling system	0.75 to 1.1 bar	
Weight, approx.	200 kg	

25 kW SmartLoad || BN 546435C0000, BN 546435C0001

Environmental conditions

Operation		
Operational environment	operating sites with limited access	
Ambient temperature range	Indoor load unit -10 to +45°C	Outdoor heat exchanger -30 to +45°C *
Relative humidity, max.	95% (non-condensing)	
Altitude, max.	2286 m	
IP protection level	Indoor load unit IP20 per EN 60529	Outdoor heat exchanger IP55 per EN 60529 (suitable for salt water environments)
Storage and transport		
Ambient temperature range	-20 to +70°C	
Relative humidity, max.	95% (non-condensing)	

* from -30 to -20°C a slow power ramp-up is required (pre warming of coolant with 5 to 7 kW for approx. 10 minutes)

Coolant

Capacity of cooling circuit, approx.	26 litres (dummy load supplied in unfilled state)
Chemical composition, brand	mixture of distilled water, 50 Vol. % ethylene glycol and corrosion inhibitor, STAUBCO® Cool N -40°C
Density (temperature sensitive)	1.08 kg/dm ³ @ +20°C

Scope of delivery and accessories

Scope of delivery	dummy load indoor unit outdoor heat exchanger with 10 m hard-wired cable power cord with IEC 60320-1 C19 socket (pigtail) interlock cable connector product manual material safety data sheet of the coolant 20 m hose to connect indoor unit to outdoor heat exchanger 2 pcs automatic vents 50 litres coolant 1 set of clamps, etc. to connect hoses	
Spare parts	power cord with IEC 60320-1 C19 socket (pigtail) interlock cable connector STAUBCO® Cool N -40°C coolant, 25 litres canister automatic vent	BN A77310 BN 102964 BN A75272 BN B29689
Accessories	filling pump set 230 V AC, 50 Hz filling pump set 115 V AC, 60 Hz wall hanger support set	BN 155890C0000 BN 155890C0001 BN A76634

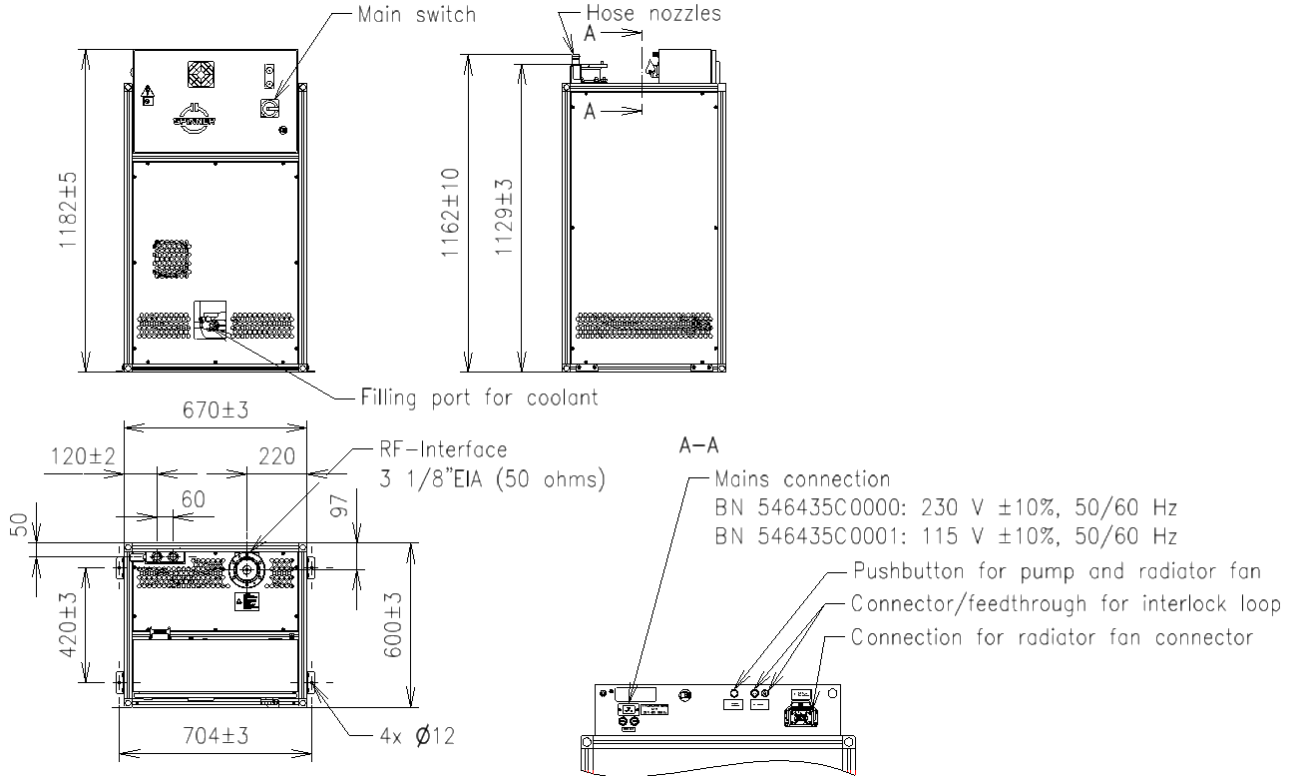
SPINNER GmbH | This document is proprietary to us. All rights reserved. Any use, transfer, or reproduction of this document or the know-how contained therein requires our express consent.

Template TD-00003G

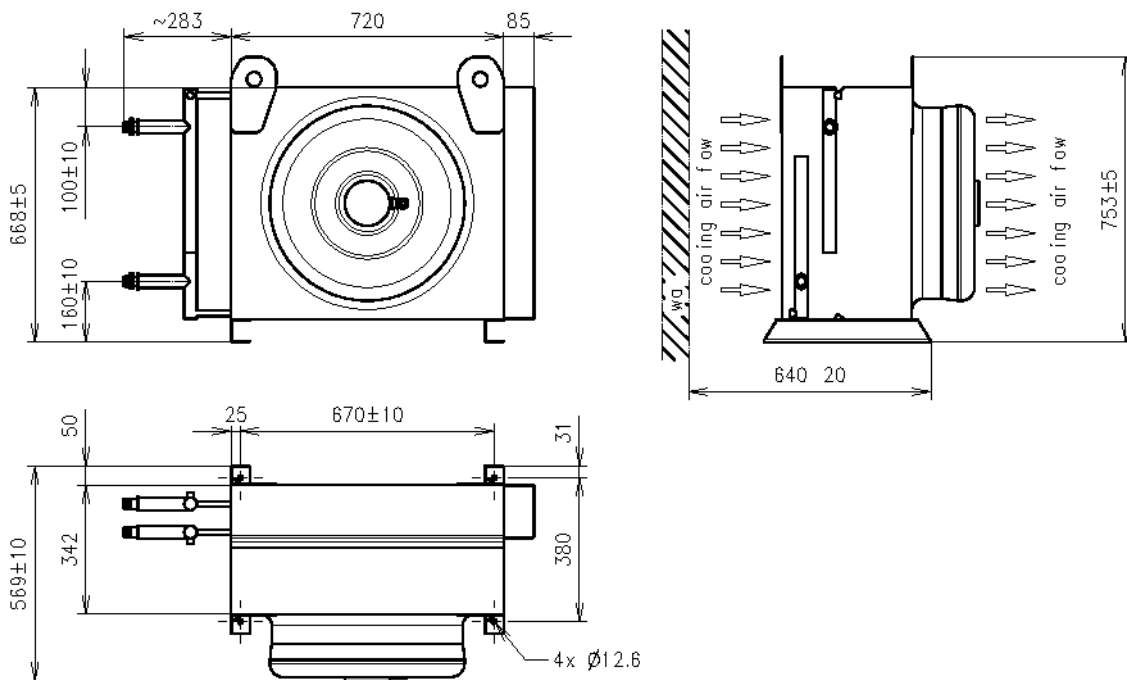
25 kW SmartLoad || BN 546435C0000, BN 546435C0001

Outline (all dimensions in millimeter)

Indoor load unit



Outdoor heat exchanger



SPINNER GmbH | This document is proprietary to us. All rights reserved. Any use, transfer, or reproduction of this document or the know-how contained therein requires our express consent.

Template TD-00003G