

25 kW SmartLaod | BN 546435C0300, BN 546435C0301

Coaxial load with intelligent control:

- Standby function
- Pump and fan activated only when needed
- Super fast self protection
- Potential-free interlock contact
- Single phase power supply
- Rear and side walls can be covered
- Outdoor heat exchanger
- Pressurized cooling circuit



Indoor load unit



Outdoor heat exchanger

Operating modes

Standby and RF power approx. 80 W	natural cooling without pump or fan *
RF power approx. 80 W to approx. 800 W	pump only *
RF power approx. 800 W to 25 kW	pump and fan *

* Depending on the ambient temperature and the RF power applied, the pump and/or fan can switch on at any time and switch off again according to the required cooling capacity.

Radio frequency characteristics

Interface type	3 1/8" EIA (50 Ω) per IEC 60339-2, facing upwards (4 1/2" EIA necessary for P ≥ 23kW and f ≥ 700 MHz; order adapter BN 715010)
Frequency range	DC to 860 MHz
Average power rating, max. (total, both inputs)	25 kW
Proof voltage, max.	17 kV
VSWR, max.	1.04 @ DC to 108 MHz or 1.04 @ 108 to 470 MHz or 1.04 @ 470 to 860 MHz or 1.08 @ DC to 860 MHz

Cooling Aggregate

Part number	BN 546435C0300	BN 546435C0301
Mains supply:	Mains voltage Mains frequency Real power consumption Nominal current, max.	230 V ±10%, L, N, PE 50/60 Hz 25 W (standby), 1.5 kW (full operation) 10 A
Mains panel connector	male power socket, acc. IEC 60320-1 (C20)	
Interlock loop connection	two-pole connector with screwlocking acc. IEC 60130-9, Co. Binder, series 581/680/682, TYP 09-0303-00-02, or at termination block inside control box	
Interlock loop contact load	ES1 type per IEC 62368-1 max. 42.4 V AC _{pk} / 60 V DC max. 1 A	
Heat exchanger	25 kW special SPINNER single ventilator type	
Acoustic emission (for max. RF power)	Indoor load unit sound pressure level, approx. 65 dB (A) @ 1 m distance	Outdoor heat exchanger sound pressure level, approx. 46 dB (A) @ 10 m distance
Product Manual	10086219	
Maximum distance indoor unit / heat exchanger	10 m	
Max. height difference indoor unit / heat exchanger	3.5 m	
Pressure of cooling system	0.75 to 1.1 bar	
Weight, approx.	200 kg	

SPINNER GmbH
 This document is proprietary to us.
 All rights reserved. Any use, transfer, or reproduction of this document
 or the know-how contained therein requires our express consent.

Template TD-00003 | H



25 kW SmartLaod | BN 546435C0300, BN 546435C0301

Environmental conditions

Operation		
Operational environment	operating sites with limited access	
Ambient temperature range	Indoor unit -10 to +45°C	Outdoor heat exchanger -20 to +45°C
Relative humidity, max.	95% (non-condensing)	
Altitude, max.	2286 m	
IP protection level	Indoor unit IP20 per EN 60529	Outdoor heat exchanger IP55 per EN 60529 (suitable for salt water environments)
Storage and transport		
Ambient temperature range	-20 to +70°C	
Relative humidity, max.	95% (non-condensing)	

Coolant

Capacity of cooling circuit, approx.	26 l (dummy load supplied in filled state)
Chemical composition, brand	mixture of distilled water, 39 Vol. % ethylene glycol and corrosion inhibitor, ANTIFROGEN N
Density (temperature sensitive)	1.054 kg/dm ³ @ +20°C

Scope of delivery and accessories

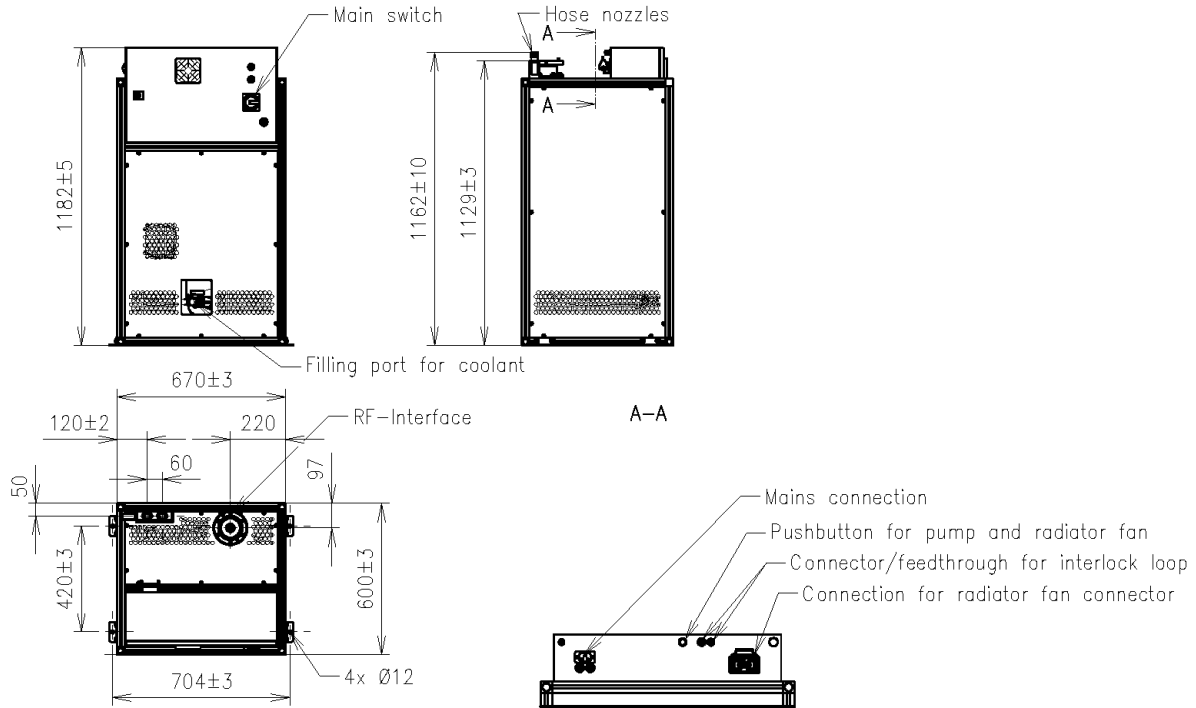
Scope of delivery	dummy load indoor unit outdoor heat exchanger with 10 m hard-wired cable power cord with IEC 60320-1 C19 socket (pigtail) interlock cable connector product manual material safety data sheet of the coolant 20 m hose to connect indoor unit to outdoor heat exchanger 2 pcs automatic vents 30 l coolant 1 set of clamps, etc. to connect hoses	
Spare parts	power cord with IEC 60320-1 C19 socket (pigtail) interlock cable connector coolant 20 l canister ANTIFROGEN N 39% glycol automatic vent	BN A77310 BN 102964 BN 39463A BN B29689
Accessories	filling pump set 230 V AC, 50 Hz filling pump set 115 V AC, 60 Hz wall hanger support set	BN 155890C0000 BN 155890C0001 BN A76634

SPINNER GmbH
 This document is proprietary to us.
 All rights reserved. Any use, transfer, or reproduction of this document
 or the know-how contained therein requires our express consent.

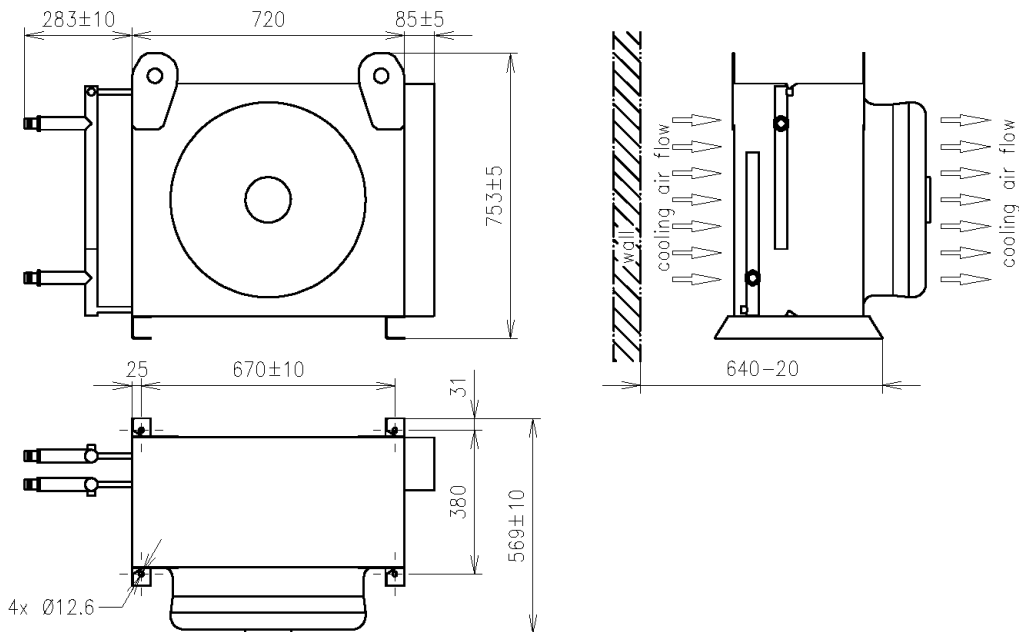
25 kW SmartLaod | BN 546435C0300, BN 546435C0301

Outline (all dimensions in millimeter)

Indoor load unit



Outdoor heat exchanger



SPINNER GmbH
 This document is proprietary to us.
 All rights reserved. Any use, transfer, or reproduction of this document
 or the know-how contained therein requires our express consent.