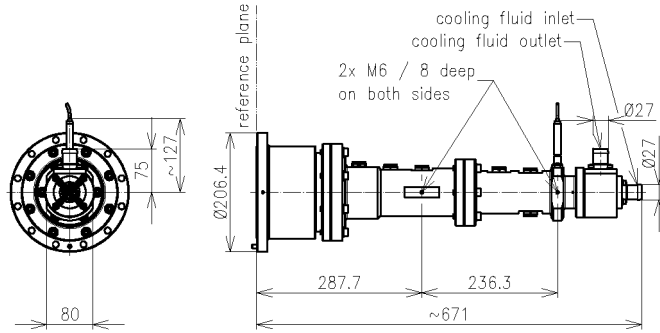


Load Type 6 1/8"EIA || BN 546438

- with integrated temperature sensor



all dimensions in millimeter

Radio frequency characteristics

Interface type	6 1/8" EIA (50 Ω) per IEC 60339-2
Frequency range	DC to 790 MHz
Average power rating, max.	50 kW
Proof voltage, max.	17 kV
VSWR, max.	1.04 @ DC to 108 MHz or 1.04 @ 108 to 470 MHz or 1.04 @ 470 to 790 MHz or 1.08 @ DC to 790 MHz

Mechanical characteristics

Flow rate of the cooling fluid, min.	$\leq 8.3 \text{ kW: } Q [\text{l/min}] = 10 \text{ l/min}$ $> 8.3 \text{ kW: } Q [\text{l/min}] = 1.2 * P [\text{kW}]$ e.g. @ 50 kW: $Q [\text{l/min}] = 1.2 * 50 \text{ kW} = 60 \text{ l/min}$ see also chart
Pressure in the cooling system, max.	6 bar
Inlet temperature of the cooling fluid, max.	70 °C
Outlet temperature of the cooling fluid, max.	90 °C
Coolant interface	25 mm hose
Operating position	as shown
Product Manual	M36572
Weight, approx.	14.5 kg

Cooling circuit specifications

Approved materials	aluminum, stainless steel and copper coolant must be suitable for used material pairing the load contains aluminum and stainless steel
Approved coolant	ANTIFROGEN N or DOWTHERM SR-1 or equivalent (mixture of distilled water, 39 to 50 Vol. % ethylene glycol and corrosion inhibitor, suitable for used materials)

SPINNER GmbH | This document is proprietary to us. All rights reserved. Any use, transfer, or reproduction of this document or the know-how contained therein requires our express consent.

Template TD-00003F

# Load Type 6 1/8"EIA || BN 546438

## Environmental conditions

<b>Operation</b>	
Ambient temperature range	-10 to +45 °C
Relative humidity, max.	95% (non-condensing)
Altitude, max.	2286 m
IP protection level	IP20 per EN 60529
<b>Storage</b>	
Ambient temperature range	-25 to +70 °C
Relative humidity, max.	95% (non-condensing)

## Temperature sensor

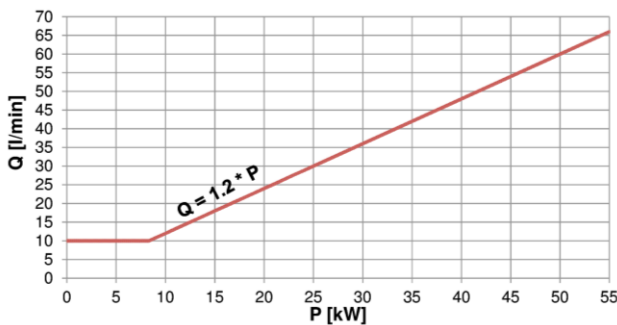
Power supply	5 ... 30 V DC, 100 mA
Alarm Output	5 ... 30 V / 50 mA (open collector) NC
Cable length	3 m
Current draw	10 mA

## Scope of delivery and accessories

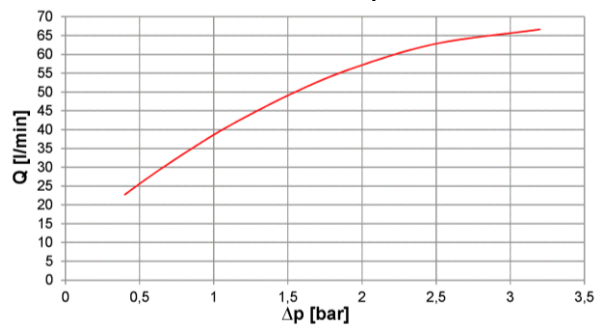
Scope of delivery	load, protective cap product manual delivered dry, coolant must be ordered separately	
Accessories	coolant 30 litres canister ANTIFROGEN N 39% glycol Hose 20 m, inner diameter: 25 mm, wall thickness: 6 mm	BN A74423 BN 155855C0001

SPINNER GmbH | This document is proprietary to us. All rights reserved. Any use, transfer, or reproduction of this document or the know-how contained therein requires our express consent.

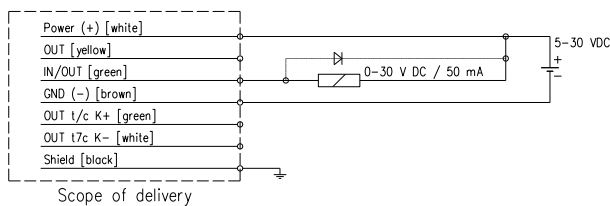
**Flow rate**



**Pressure drop**



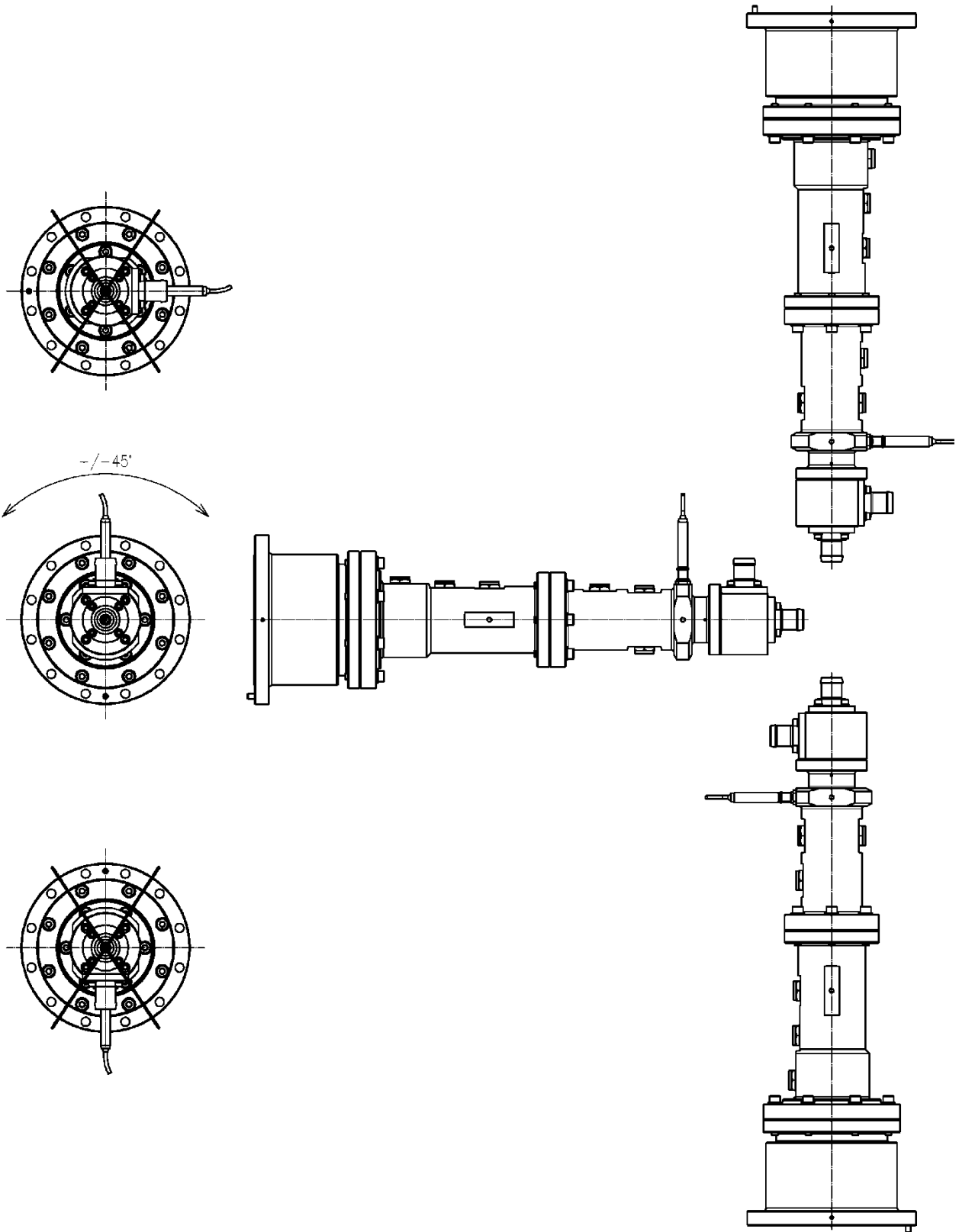
## Temperature sensor alarm output



Template TD-00003F

# Load Type 6 1/8"EIA || BN 546438

## Operating position



SPINNER GmbH | This document is proprietary to us. All rights reserved. Any use, transfer, or reproduction of this document or the know-how contained therein requires our express consent.

Template TD-00003F