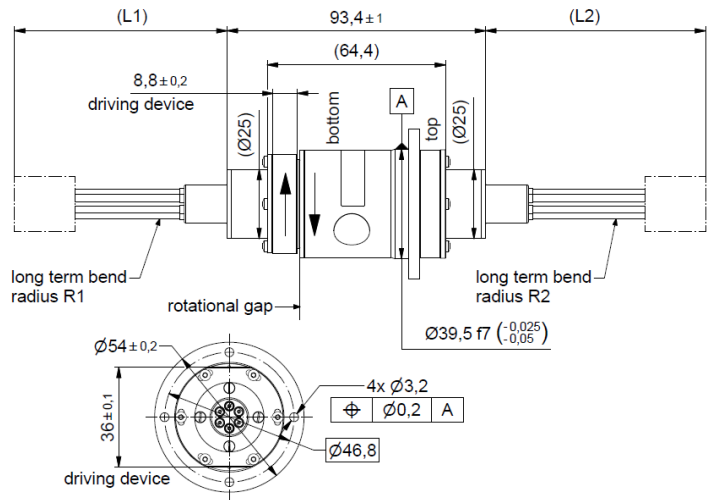
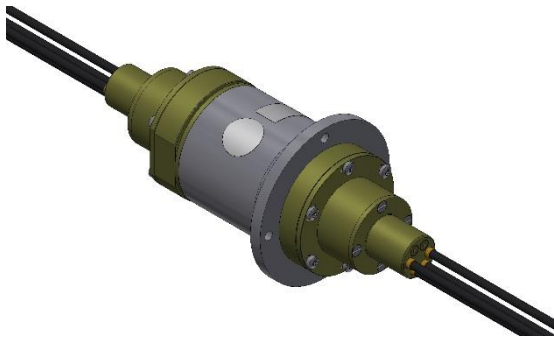


Rotary Joint || BN 549760C0408



all dimensions in millimeter

Fiber optic channel characteristics

Channels	4 CH
Channel designation	1 to 4
FO connector / material	LC-PC / ceramic
Fiber type	Multimode G50 / 125 µm / 2.7 mm cable
Fiber length (L1 / L2)	1000±150 mm / 1000±150 mm
Long term bending radius, min. (R1 / R2)	60 mm / 60 mm
Wavelength	850 nm / 1300 nm
Average power capability, max.	10 mW / 10 dBm
Insertion loss, max.	3.5 dB
Insertion loss variation over rotation, max.	1.5 dB
Cross talk, min.	50 dB (between all channels)

Rotary Joint || BN 549760C0408

Mechanical characteristics

Rotating speed, max. / nominal	150 rpm / 100 rpm
Life, min.	200 x 10 ⁶ revolutions
Torque (room temperature), max.	0.15 Nm @ rotation
Interface loads, max.	±0.4 Nm bending moment
Case material	stainless steel and copper alloy, corrosion resistant
Case surface finish	no finish
IP protection level	IP50 per EN 60529 (all interfaces connected with appropriate gaskets)
Weight, approx.	0.7 kg
Marking	adhesive label

Environmental conditions

Operation	
Ambient temperature range	-40 °C to +71 °C
Relative humidity, max.	95% (non-condensing)
Storage	
Ambient temperature range	-40 °C to +71 °C
Relative humidity, max.	95% (non-condensing)

Applicable documents

Technical information	"Rotary Joints – Glossary", Technical Document TD-00021, Spinner GmbH
-----------------------	---