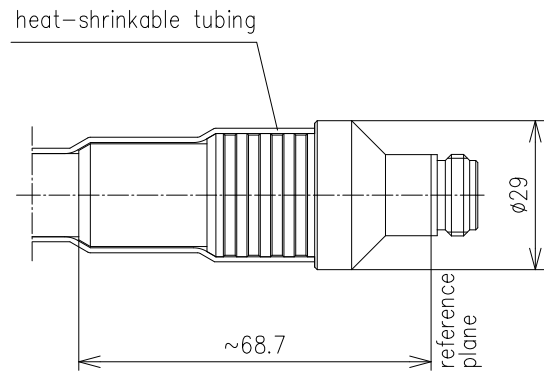


CABLE SOCKET FOR RADIATING CABLE 1/2"-50-TYPE N



| | | | | |
|---------------------------|---------------------------------|--------------------|--------------------------------|-----------|
| Part number | BN 55 71 11 | | | |
| Connector type | N socket | | | |
| Impedance | 50 Ω | | | |
| Frequency range | 0 - 0.5 GHz | 0.5 - 1 GHz | 1 - 2 GHz | 2 - 3 GHz |
| VSWR | ≤ 1.04 | ≤ 1.06 | ≤ 1.08 | ≤ 1.11 |
| Material and surface | | | | |
| Inner conductor | copper alloy | | silver-plated | |
| Outer conductor | copper alloy CuBe | | silver-plated silver-plated | |
| Insulation | PTFE | | | |
| Sealing | heat-shrinkable adhesive tubing | | | |
| Degree of protection | IP68 (mated) | | | |
| Cable compatibility | RFS | Radiaflex® 12-50 A | | |
| Standards | IEC 61169-16 | | | |
| Installation instructions | M32027 | | | |
| Weight | approx. 0.14 kg | | | |
| Included in delivery | installation instructions | | | |