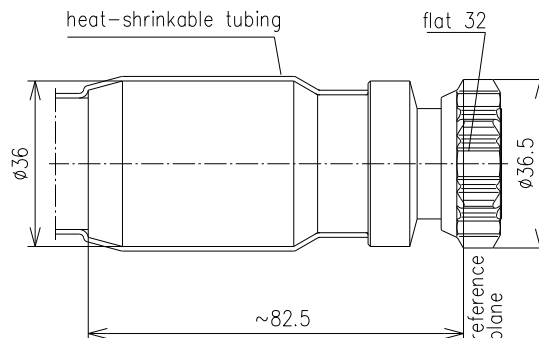


Cable Connector 7-16-m Radiating 7/8" | BN 557152



All dimensions in millimeter

Radio frequency characteristics

Interface type	7-16 plug (50 Ω) per IEC 61169-4	
Version	CAF®	
Frequency range	DC to 3.8 GHz	
VSWR, max.	1.04 @ DC to 1 GHz 1.06 @ 1 to 2.7 GHz 1.08 @ 2.7 to 3.8 GHz	
Inner conductor material / surface finish	copper alloy / silver plated	
Outer conductor material / surface finish	copper alloy / silver plated CuBe age-hardened / silver plated	
Other metal parts / surface finish	copper alloy / nickel plated	
Insulation	PTFE	
Sealing	silicone rubber heat-shrinkable adhesive tubing	
IP protection level	IP68 per EN 60529 (barrier and mating face sealed)	
Cable compatibility	SPINNER RFS	SpinnerFlex RM7/8"-50 Radiaflex® 78-50 A
Installation instructions	M32028	
Weight, approx.	300 g	
Scope of delivery	installation instructions	

SPINNER GmbH
 This document is proprietary to us.
 All rights reserved. Any use, transfer, or reproduction of this document
 or the know-how contained therein requires our express consent.