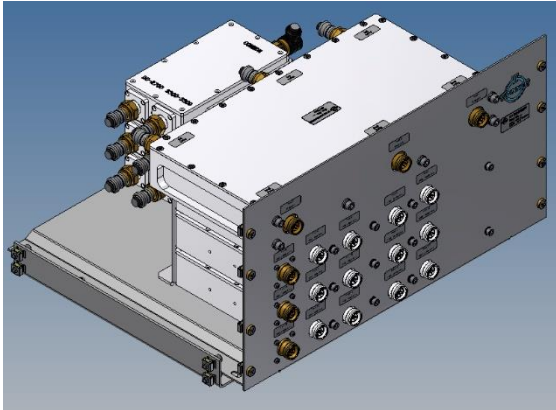
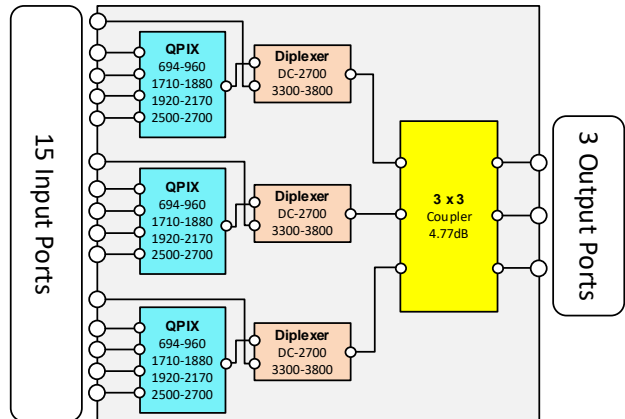


MNCS COMBINER || BN 570297, issue A



Picture not binding



Block diagram

SPINNER GmbH
 This document is proprietary to us.
 All rights reserved. Any use, transfer, or reproduction of this document
 or the know-how contained therein requires our express consent.

Electrical characteristics

Part number	BN 570297
Input*: Output	15: 3
Insertion loss:	≤ 1.0 dB + 5.0 dB +/- 1.2 dB (splitting 3 common ports)
Frequency range:	
Band 1	694 – 960 MHz
Band 2	1710 – 1880 MHz
Band 3	1920 – 2170 MHz
Band 4	2500 – 2690 MHz
Band 5	3300 – 3800 MHz
Impedance	50 Ohm
Isolation	
Interband	≥ 50 dB
Intraband	≥ 30 dB typ.
Passive intermodulation (IM3), 3rd order @ 2 x 20W	-155 dBc max. / -160 dBc typ. N/A @ 3300 – 3800 MHz
VSWR	1.25 typ. (1.4 max.)
Power Rating:	
700 - 900 / 1800 / 2100 / 2600	≤ 75 W
3800	≤ 60 W

*unused input ports must be terminated with 5W standard load 531726 (to be ordered separately).

Mechanical characteristics

Connectors	4.3-10 female
Dimensions, approx.	490 x 266 x 411 mm (Width x Height x Depth)
Weight, approx.	33 kg
Mounting	Wall mounting or 19" Rack mounting included

Environmental conditions

Class. of environmental conditions:	ETSI EN 300019-1-1 Class 1.2 ETSI EN 300019-1-2 Class 2.3 ETSI EN 300019-1-3 Class 3.3
Application:	Indoor use (all components IP65)
Operation Ambient temperature range	-40 °C to +65 °C

Template TD-00002Y

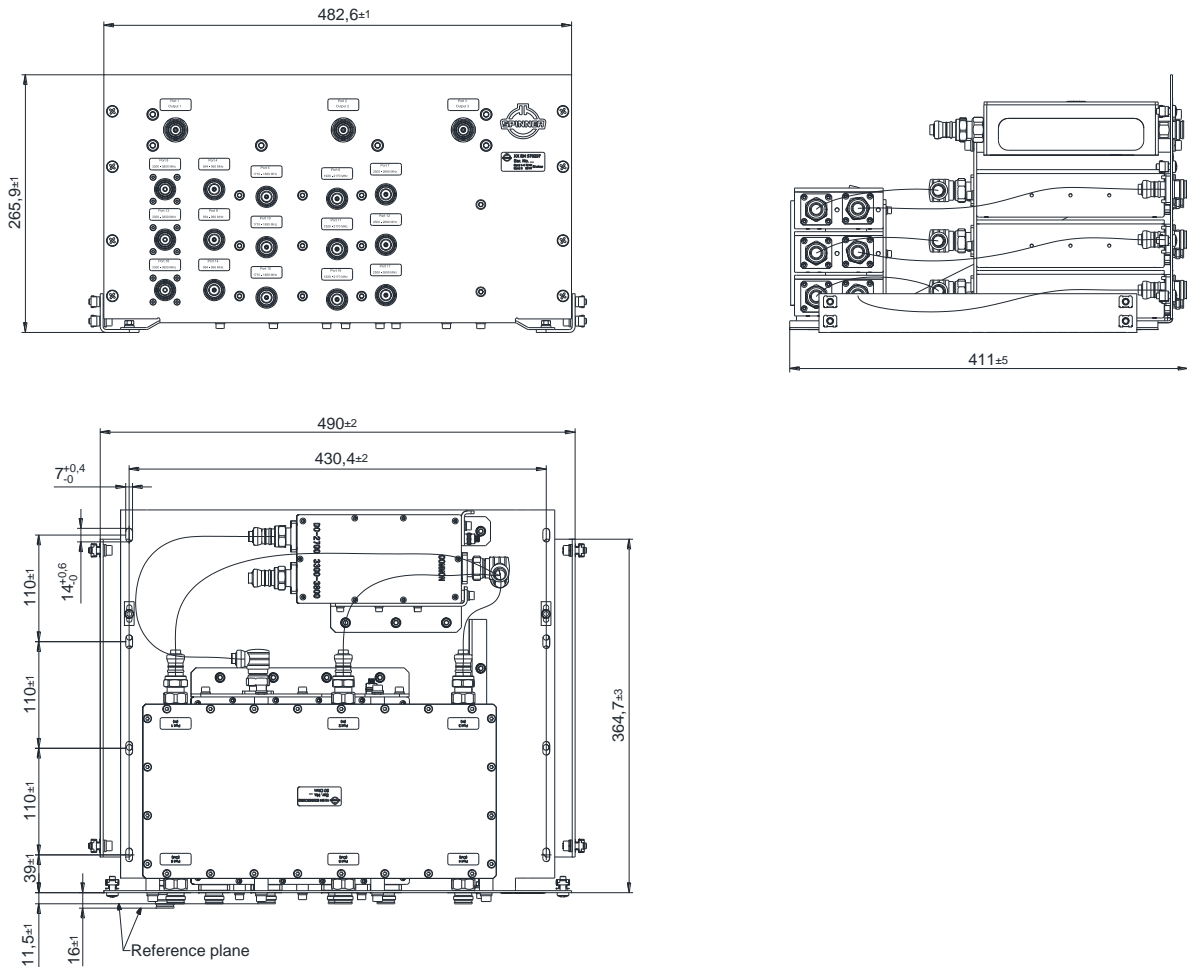
MNCS COMBINER || BN 570297, issue A

Storage Ambient temperature range	-40 °C to +85 °C
Relative humidity, max.	95% (non-condensing)

Scope of delivery and accessories

Scope of delivery	Test report, installation instructions
-------------------	--

Outline (all dimensions in millimeter)



Standard:
4.3-10 female (50 ohms): IEC 61169-54

modifications reserved!

SPINNER GmbH
 This document is proprietary to us.
 All rights reserved. Any use, transfer, or reproduction of this document
 or the know-how contained therein requires our express consent.

Template TD-00002Y