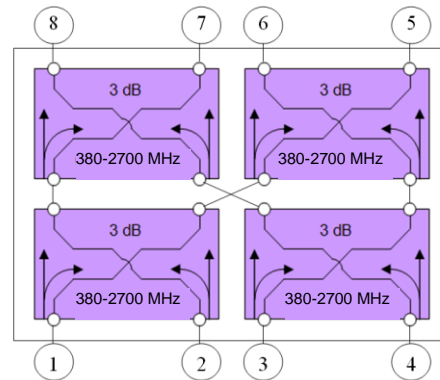
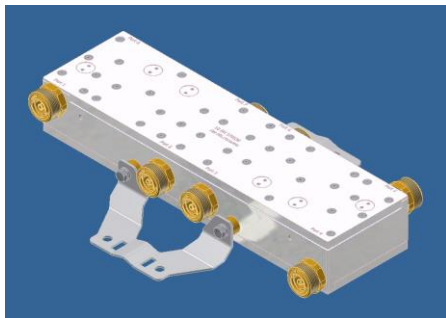
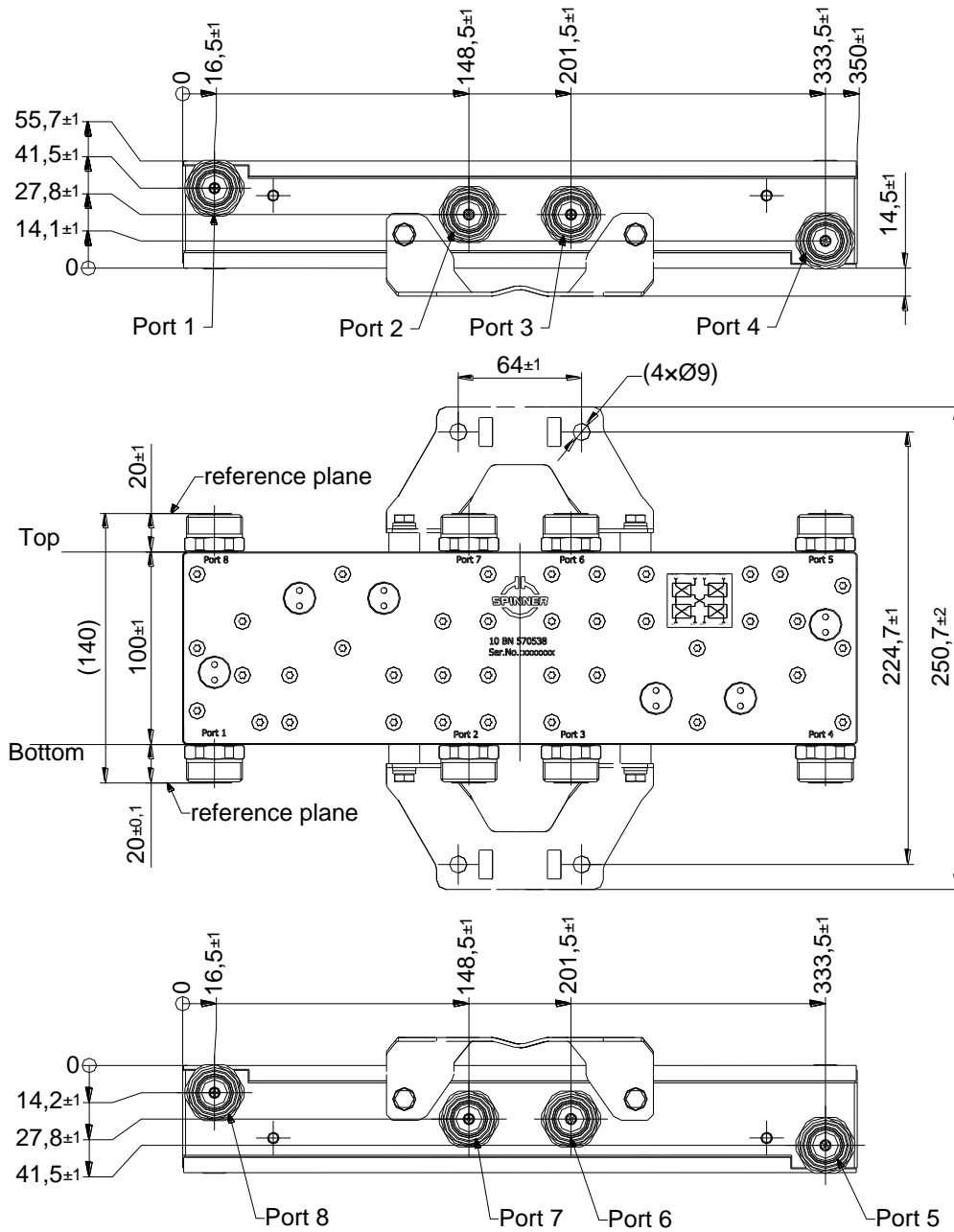


4-WAY COMBINER 380-2700 MHZ



Part number	BN 57 05 38 F002
Connectors	7-16 female (50 Ohms)
Port 1 - 4	inputs
Port 5 - 8	outputs
Frequency range	380 - 2700 MHz
Insertion loss (including nominal 6 dB splitting losses)	
380 - 698 MHz	
Port 1,4 to Port 7,6 ; Port 2,3 to Port 8,5	6.5 dB ± 1 dB
Port 1 to Port 5 ; Port 2 to Port 7;	7 dB +0/-7 dB
Port 3 to Port 6 ; Port 4 to Port 8;	7 dB +0/-7 dB
Port 1 to Port 8 ; Port 2 to Port 6;	7 dB +7/-2 dB
Port 3 to Port 7 ; Port 4 to Port 5;	7 dB +7/-2 dB
698 - 800 MHz	6.1 dB ± 0.9 dB
800 - 2700 MHz	6.1 dB ± 0.6 dB
Isolation	≥ 30dB typ. 32 dB
VSWR	
380 - 2500 MHz	≤ 1.10
2500 -2700 MHz	≤ 1.12
Max. input power per port	500 W
IM-value 3rd order @ 2 x 20W	≤ -160 dBc typ. 165 dBc
Test voltage	500 V
Special feature	DC path Port 1 → Port 5, Port 2 → Port 7 DC path Port 3 → Port 6, Port 4 → Port 8 (max. 6.5 A AISG2 conform)
Degree of protection	IP 65 outdoor
Class. of environmental conditions	ETSI EN 300019-1-1 Class 1.2 ETSI EN 300019-1-2 Class 2.3 ETSI EN 300019-1-4 Class 4.1E
Wall / Mast mounting	included
Weight	5 kg
Operating temperature	-40°C - +70°C

Dimensions:



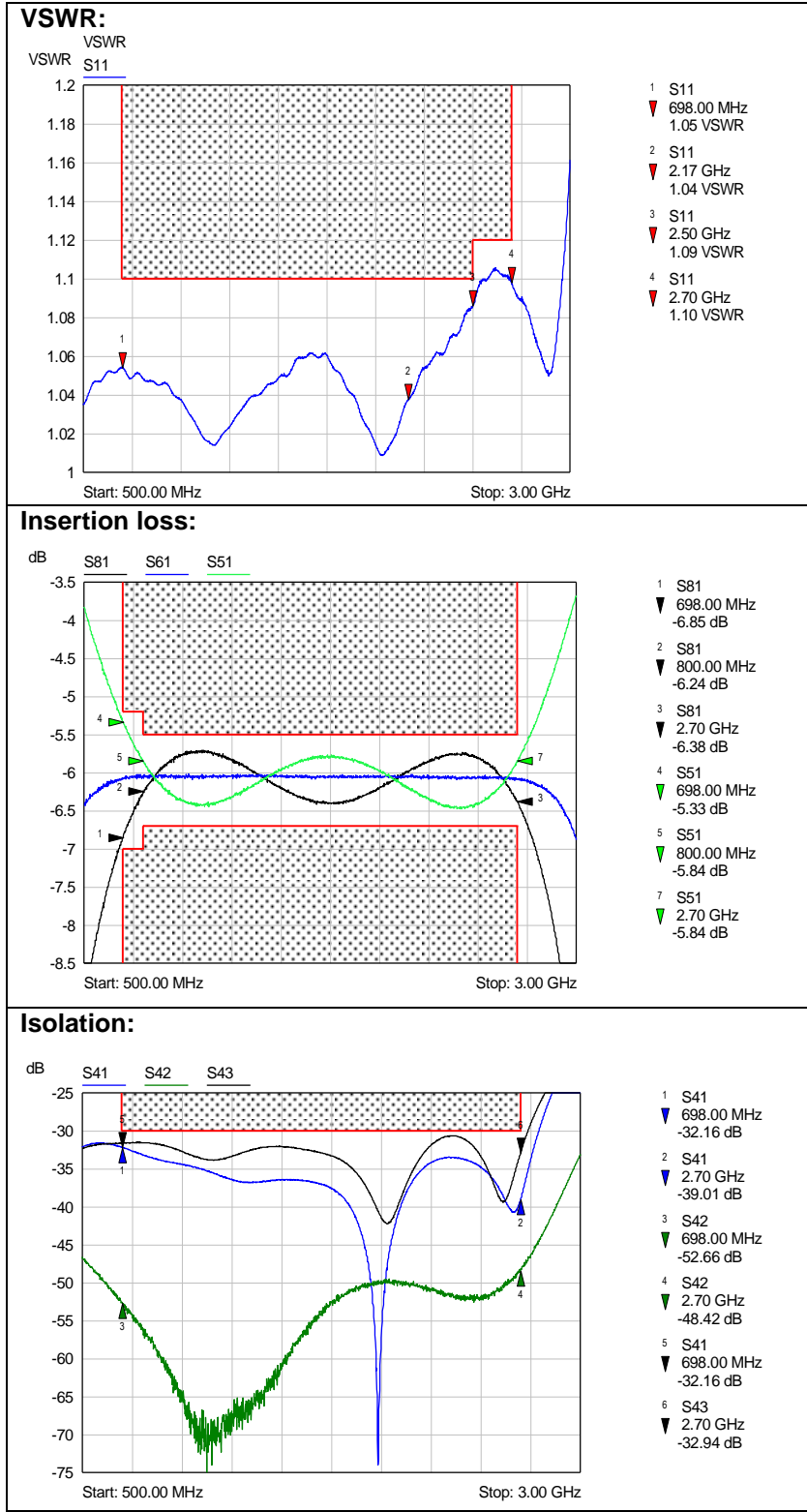
Standard:

7-16 female (50 ohms): CECC 22190, IEC 61169-4

Modification reserved

Measurements:

1. 698 MHz ~ 2.7 GHz



— typical for: S11 ... S44

— typical for: S51, S63, S72, S84

— typical for: S54, S62, S73, S81

— typical for: S52, S53, S61, S64, S71, S74, S82, S83

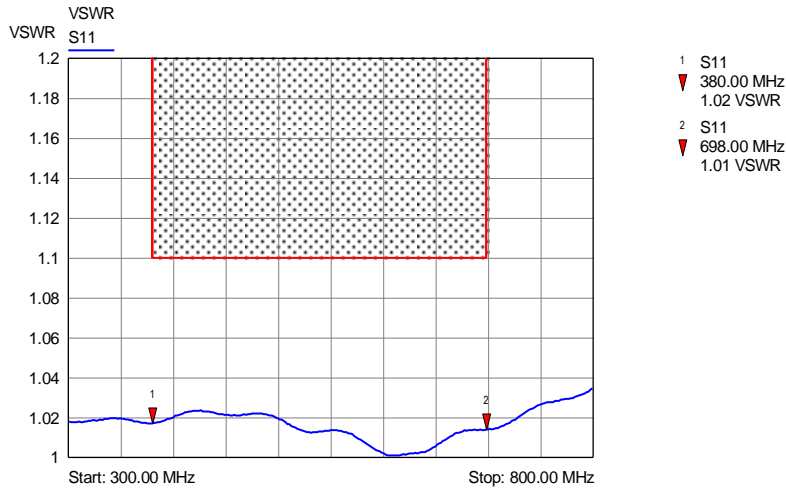
— typical for: S31, S42

— typical for: S21, S43

— typical for: S32, S41

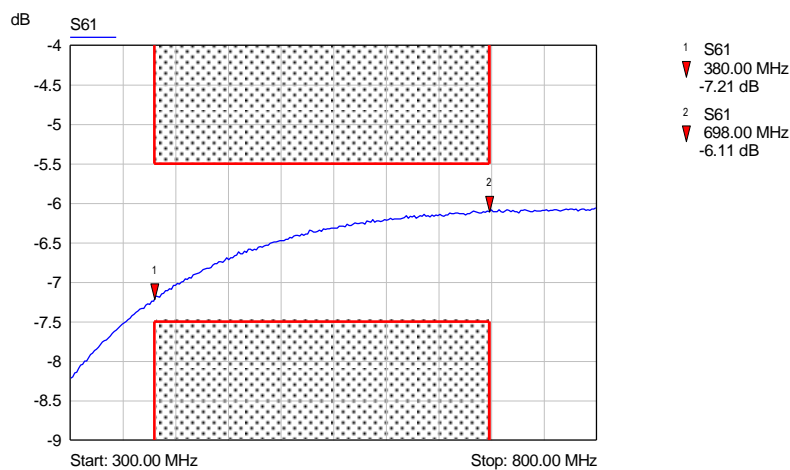
2. 380 MHz ~ 698 MHz

VSWR:

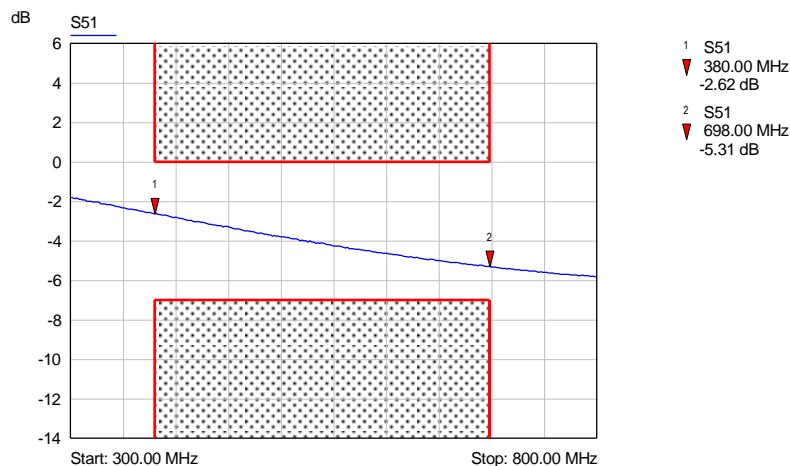


— typical for: S11 ... S44

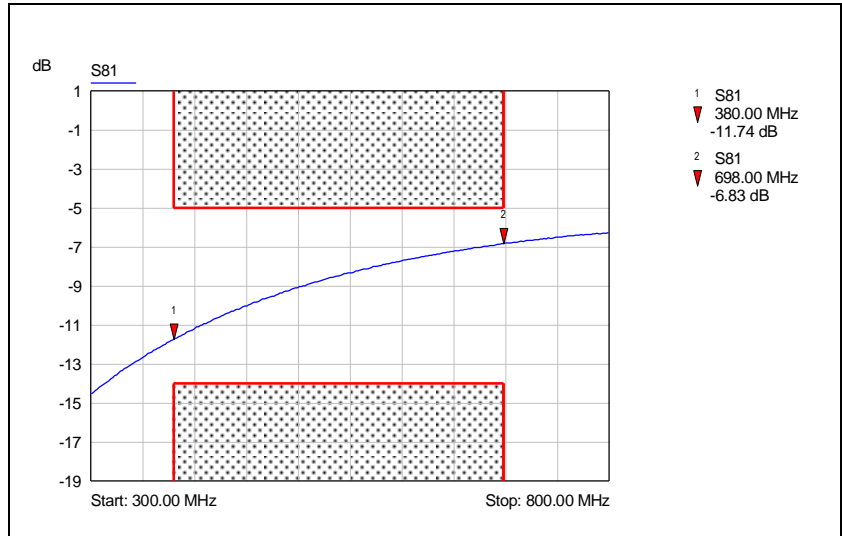
Insertion loss:



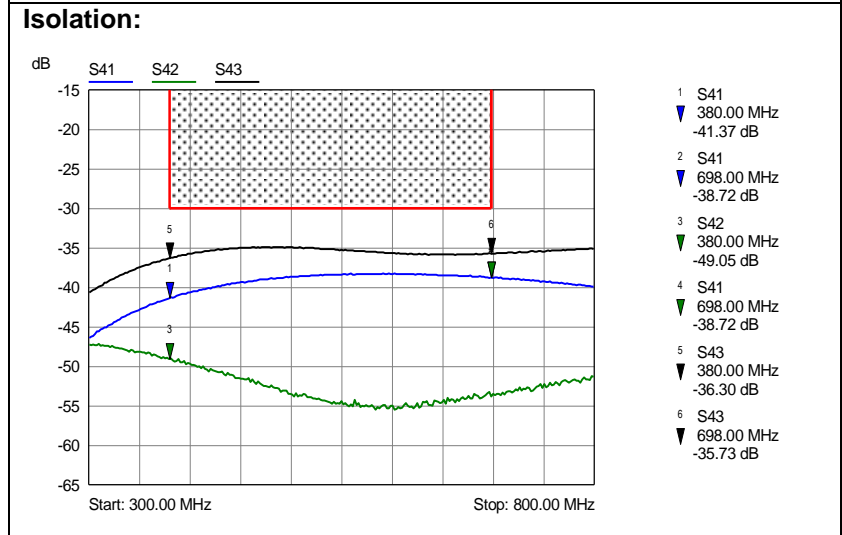
— typical for: S71, S61, S82, S52
S83, S53, S74, S64



— typical for: S72, S51, S63, S84



— typical for: S81, S62, S54, S73



— typical for: S31, S42

— typical for: S21, S43

— typical for: S32, S41