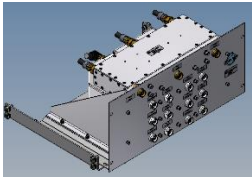
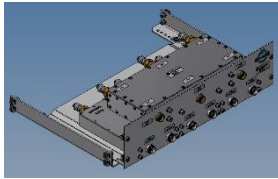


# Multiband Combining System

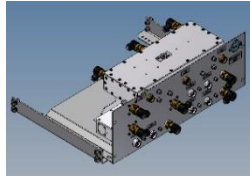
with 3 output ports



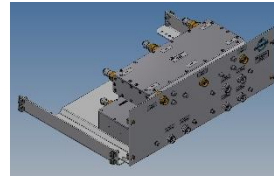
BN 572661



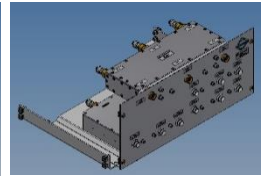
BN 572681



BN 572682



BN 572683



BN 572684

## Electrical characteristics

Part number	BN 572661	BN 572681	BN 572682	BN 572683	BN 572684
Input*: output	12 : 3	6 : 3	6 : 3	6 : 3	9 : 3
Frequency range					
Band 1	694 - 960 MHz	694 - 960 MHz	694 - 960 &	1710 - 1880 MHz	694 - 960 MHz
Band 2	1710 - 1880 MHz	1710 - 2170 MHz	1427 - 2170 MHz	1920 - 2170 MHz	1710 - 1880 MHz
Band 3	1920 - 2170 MHz		2496 - 2690 MHz		1920 - 2170 MHz
Band 4	2500 - 2690 MHz				
Insertion loss (* splitting losses)	≤ 0.75 dB + 5 dB ± 0.8 dB*	≤ 0.35 dB + 5 dB ± 0.8 dB*	≤ 0.55 dB + 5 dB ± 0.8 dB*	≤ 0.65 dB + 5 dB ± 0.8 dB*	≤ 0.65 dB + 5 dB ± 0.8 dB*
VSWR	≤ 1.4 (typ. 1.25)				
Isolation Interband Intraband	≥ 50 dB ≥ 30 dB				
IM-value 3rd order @ 2 x 20W	≤ -155 dBc   typical: ≤ -160 dBc				
Impedance	50 Ohm				
Power rating (each input port)	≤ 125 W	≤ 200 W	≤ 200 W	≤ 200 W	≤ 130 W

## Mechanical characteristics

Connectors	4.3-10 female				
Dimensions, approx. (Including brackets and connectors)	See drawing				
Weight, approx.	21 kg	14 kg	17.5 kg	18 kg	19 kg
Wall / Mast mounting	Wall mounting or 19" Rack mounting included				

## Environmental conditions

Class. of environmental conditions	ETSI EN 300019-1-1 Class 1.2 ETSI EN 300019-1-2 Class 2.3 ETSI EN 300019-1-3 Class 3.3
Degree of protection	indoor use (all components IP65)
Operation Ambient temperature range	-40 °C to +65 °C
Storage Ambient temperature range	-40 °C to +85 °C
Relative humidity, max.	95% (non-condensing)

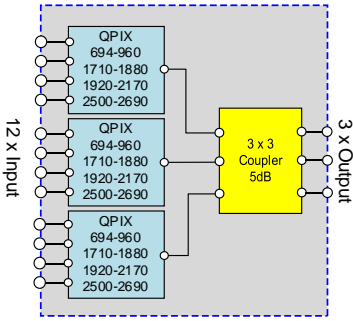
\*Unused input ports must be terminated with 5W standard load 531726 (to be ordered separately).

SPINNER GmbH  
 This document is proprietary to us.  
 All rights reserved. Any use, transfer, or reproduction of this document  
 or the know-how contained therein requires our express consent.

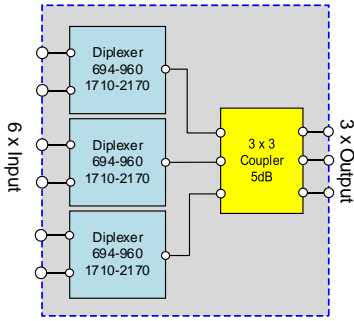
Template TD-00002Y

# Multiband Combining System

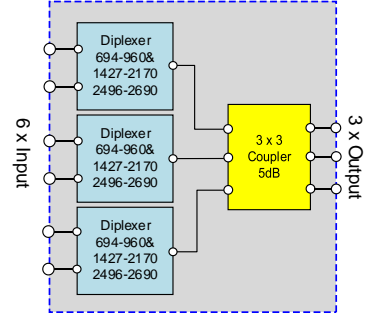
with 3 output ports



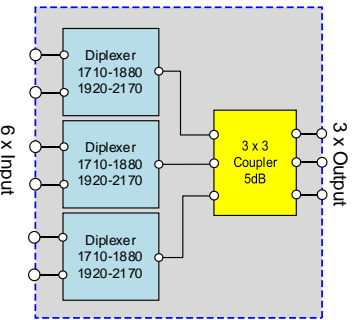
BN 572661



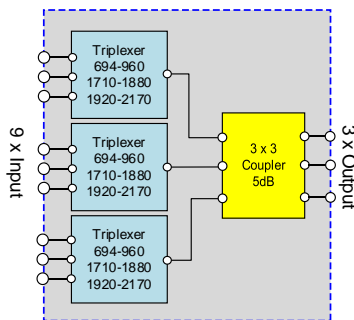
BN 572681



BN 572682



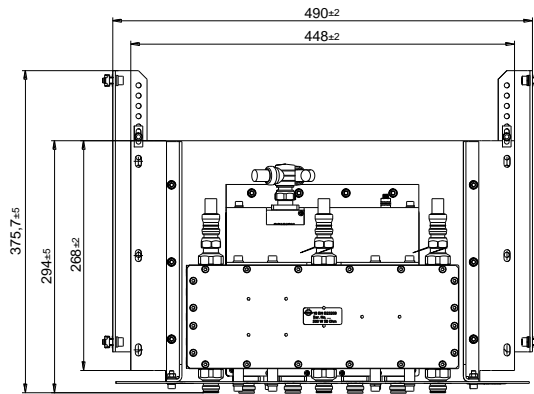
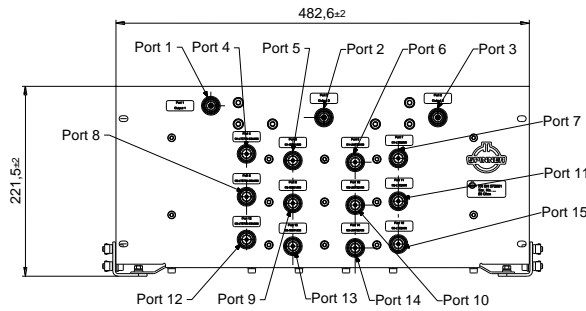
BN 572683



BN 572684

SPINNER GmbH  
 This document is proprietary to us.  
 All rights reserved. Any use, transfer, or reproduction of this document  
 or the know-how contained therein requires our express consent.

## Outline (all dimensions in millimeter)



Standard:

4,3-10 female (50 ohms): IEC 61169-54

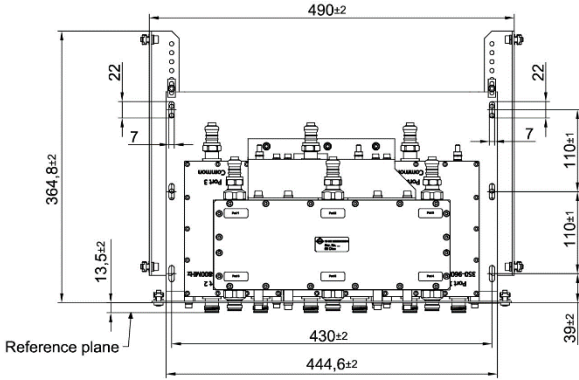
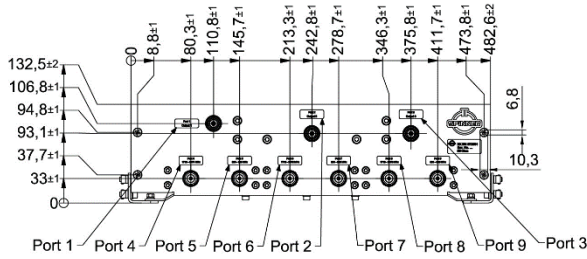
modifications reserved

BN 572661

Template TD-00002Y

# Multiband Combining System

with 3 output ports

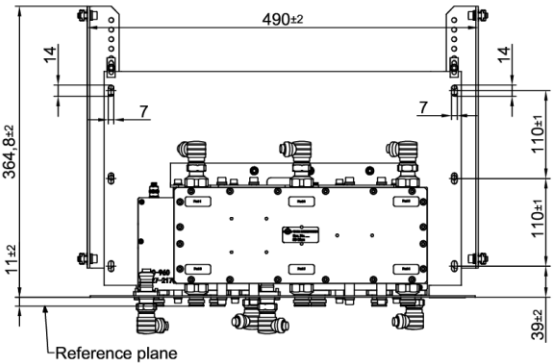
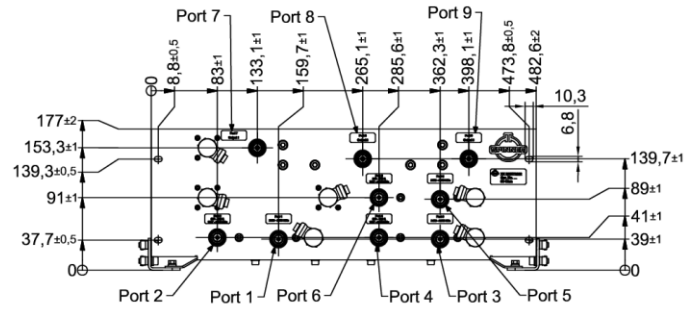


Standard:

4.3-10 female (50 ohms): IEC 61169-54

Modification reserved!

BN 572681

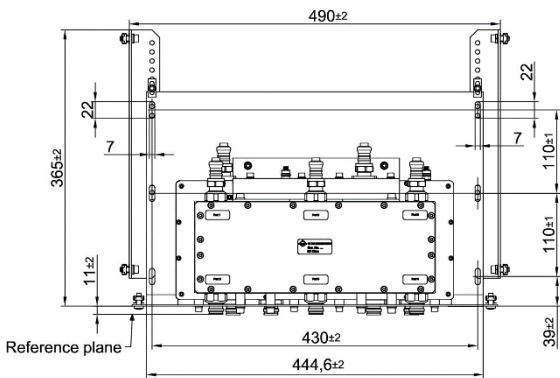
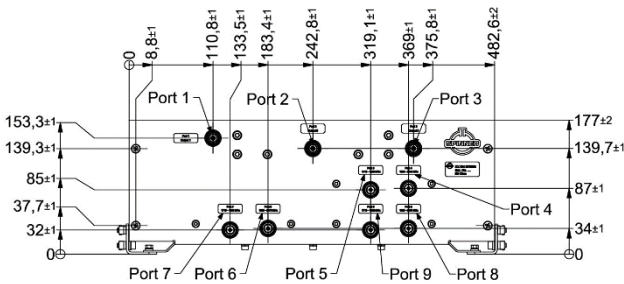


Standard:

4.3-10 female (50 ohms): IEC 61169-54; 62299

Modification reserved!

BN 572682

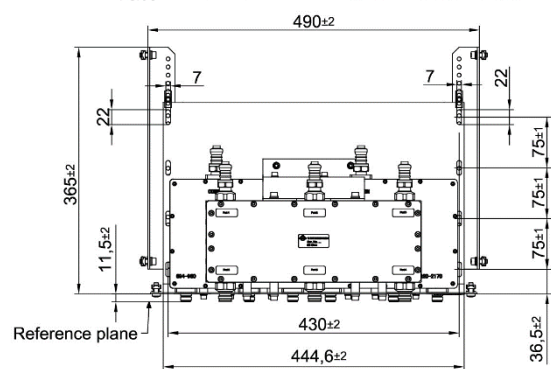
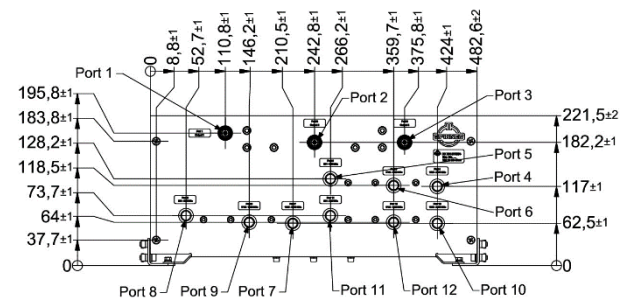


Standard:

4.3-10 female (50 ohms): IEC 61169-54

Modification reserved!

BN 572683



Standard:

4.3-10 female: 50 (ohms) IEC 61169-54

Modification reserved!

BN 572684

SPINNER GmbH  
This document is proprietary to us.  
All rights reserved. Any use, transfer, or reproduction of this document  
or the know-how contained therein requires our express consent.