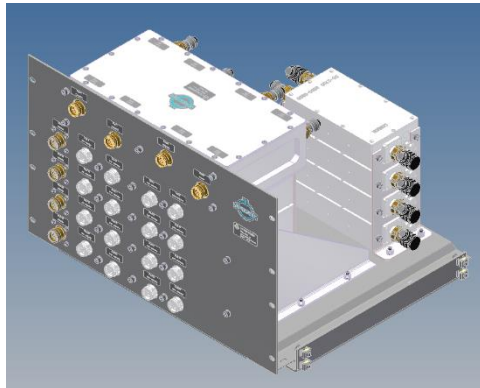
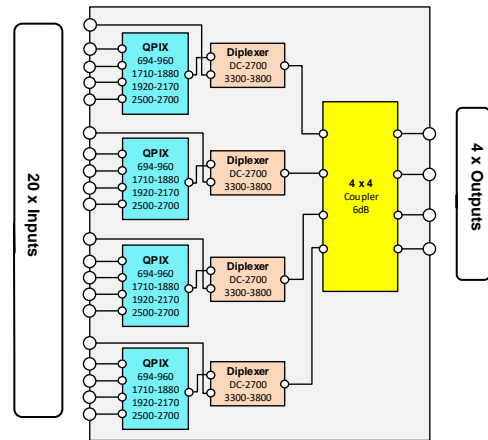


### Multiband Combining System

with 4 output ports



not binding

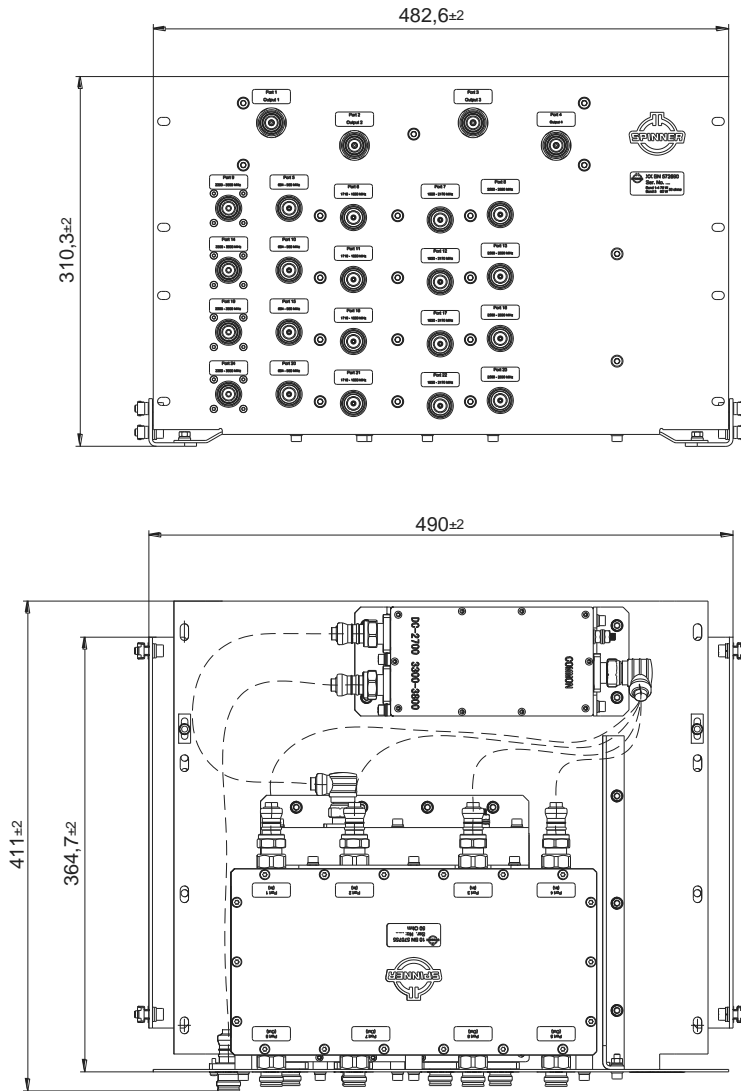


block diagram

<b>Part number</b>	<b>BN 572690</b>
Input* : output	20: 4
Connectors	4.3-10 female (50 Ohms)
Frequency range	
Band 1	694 - 960 MHz
Band 2	1710 - 1880 MHz
Band 3	1920 - 2170 MHz
Band 4	2500 - 2690 MHz
Band 5	3300 - 3800 MHz
Insertion loss	≤ 1.0 dB +
(* splitting losses)	6.2 dB ± 1.0 dB*
Isolation	
Interband	≥ 50 dB
Intraband	≥ 30 dB typ.
VSWR	≤ 1.4 (typ. 1.25)
Power rating	
700-900/1800/2100/2600	≤ 75 W
3800	≤ 60 W
IM-value	≤ -155 dBc   typical: ≤ -160 dBc
3rd order @ 2 x 20 W	
Degree of protection	indoor use (all components IP65)
Environmental conditions:	ETSI EN 300019-1-1 Class 1.2 ETSI EN 300019-1-2 Class 2.3 ETSI EN 300019-1-3 Class 3.3
Weight	40 kg
Mounting	Wall mounting or 19" Rack mounting included
Temperature range	-40 °C – +65 °C

\*unused input ports must be terminated with 5W standard load 531726 (to be ordered separately).

Dimensions:



Standard:

4.3-10 female (50 ohms): IEC 61169-54

modifications reserved!