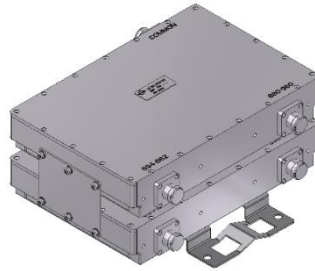


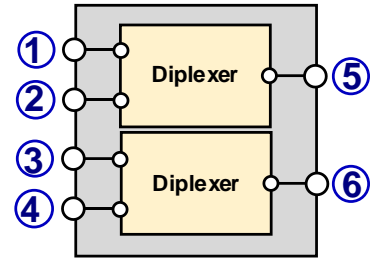
Diplexer 694 – 862 / 880 – 960 MHz



Single Unit



Double Unit



block diagram

**Electrical characteristics**

Part number	BN 576121	BN 576122
Version	single	double
Frequency range Port 1,3 Port 2,4	694 – 862 MHz 880 – 960 MHz	
Insertion loss Port 1,2→Port 5 Port 3,4→Port 6	≤ 0.60 dB	
VSWR	≤ 1.25 (typ. 1.2)	
Isolation Port 1 ↔ Port 2 / Port 3 ↔ Port 4	≥ 50 dB	
DC by-pass	Port 1 ↔ Port 5 or Port 2 ↔ Port 5 (bidirectional) Port 3 ↔ Port 6 or Port 4 ↔ Port 6 (bidirectional) max. 1A per input max. 60V DC (AISG Standard, 2.0, § 6.4)	
Surge protection	N/A	
Intermodulation products 3 <sup>rd</sup> order @ 2 x 20 W	≤ -155 dBc   typical ≤ -160 dBc	
Impedance	50 Ohm	
Power Rating	300 W (CW) max. per input port	

**Mechanical characteristics**

Connectors	4.3-10 female	
Dimensions, approx. (Excluding brackets and connectors)	278.7 x 186.6 x 51 mm (Width x Height x Depth)	278.7x 186.6 x 111 mm (Width x Height x Depth)
Weight, approx.	3.5 kg	7.5 kg
Paint color	Gray (RAL 7047)	
Wall / Mast mounting	Part of delivery	

**Environmental conditions**

Class. of environmental conditions	ETSI EN 300019-1-1 Class 1.2 ETSI EN 300019-1-2 Class 2.3 ETSI EN 300019-1-4 Class 4.1E
Degree of protection	IP 65 (Outdoor)
Operation Ambient temperature range	-40 °C to +55 °C
Storage Ambient temperature range	-40 °C to +85 °C
Relative humidity, max.	95% (non-condensing)

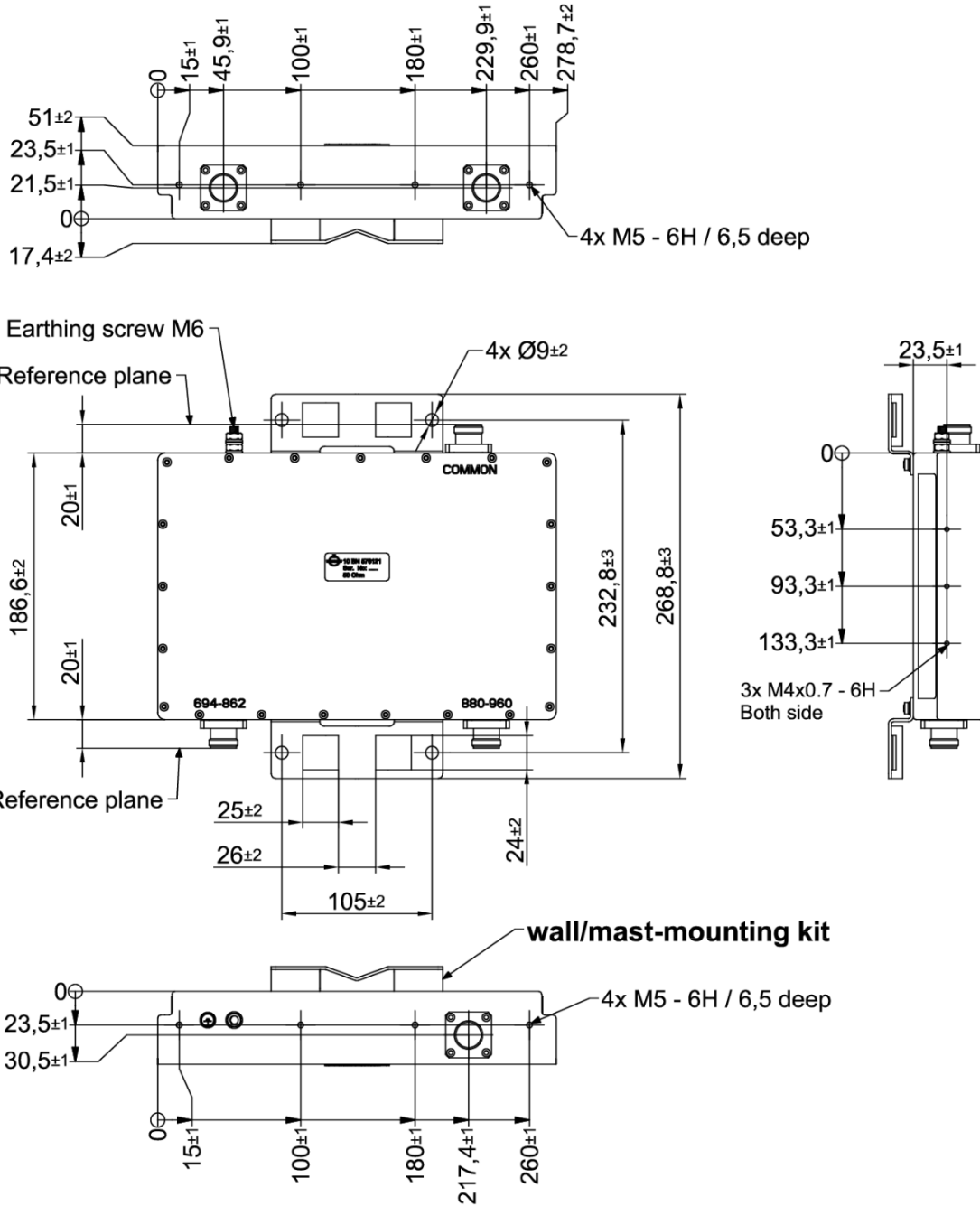
SPINNER GmbH  
 This document is proprietary to us.  
 All rights reserved. Any use, transfer, or reproduction of this document  
 or the know-how contained therein requires our express consent.

Template TD-00002Y

Diplexer 694 – 862 / 880 – 960 MHz

**Outline** (all dimensions in millimeter)

BN 576121/ single



**Standard:**

4.3-10 female (50 ohms): IEC 61169-54

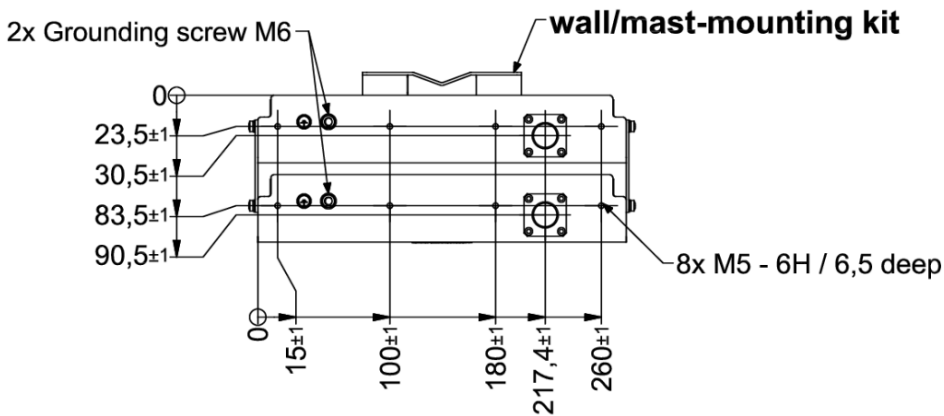
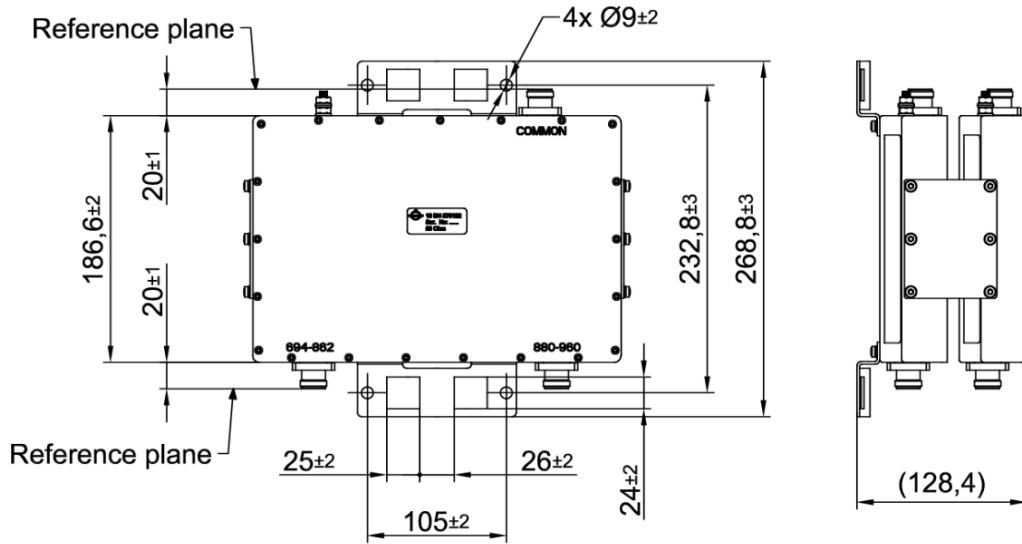
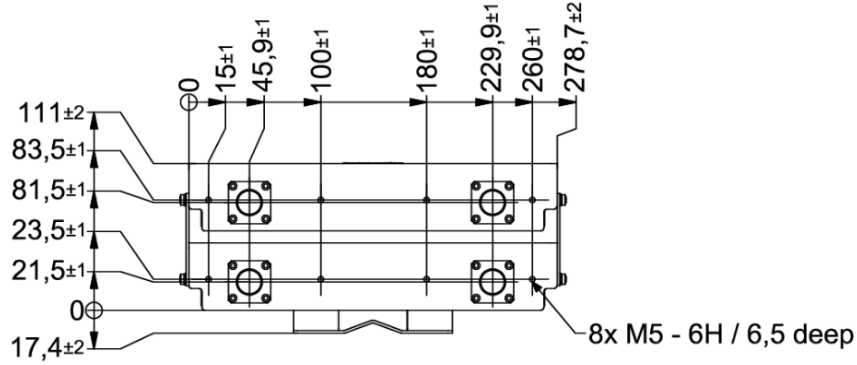
modifications reserved!

SPINNER GmbH  
This document is proprietary to us.  
All rights reserved. Any use, transfer, or reproduction of this document  
or the know-how contained therein requires our express consent.

Template TD-00002Y

Diplexer 694 – 862 / 880 – 960 MHz

BN 576122/ double



Standard:

4.3-10 female (50 ohms): IEC 61169-54

modifications reserved!

SPINNER GmbH  
This document is proprietary to us.  
All rights reserved. Any use, transfer, or reproduction of this document  
or the know-how contained therein requires our express consent.

Template TD-00002Y