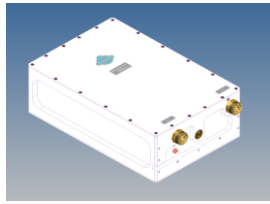
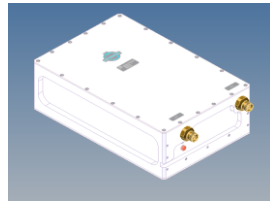


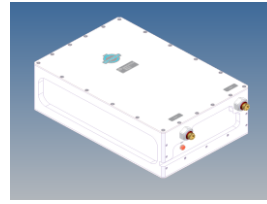
GSM-R Band-Stop Filter



BN 610007



BN 610015



BN 610017

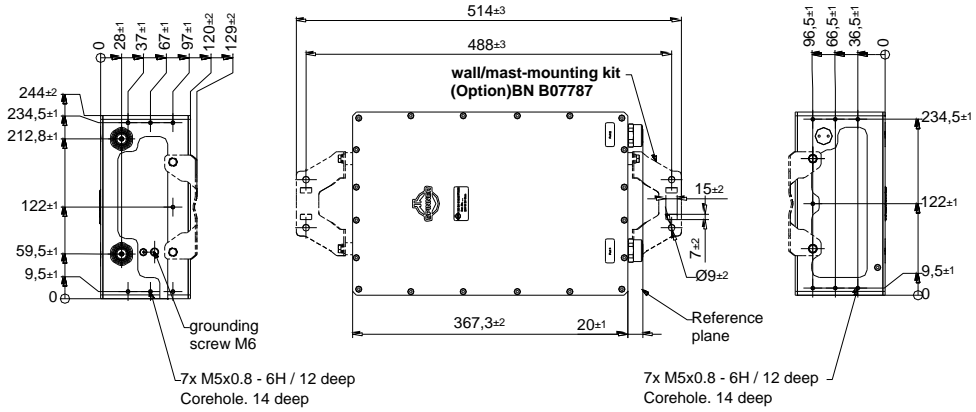


Block diagram

Part Number	BN 610007	BN 610015	BN 610017
Connectors	7 - 16 female (50 Ohms)	4.3 - 10 female (50 Ohms)	N female (50 Ohms)
Pass-band		0.3 - 862.0 MHz 880.9 - 915.0 MHz 925.9 - 960.0 MHz 1710 - 1880 MHz 1920 - 2170 MHz 2500 - 2700 MHz	
Stop-band		873.1 - 880.1 MHz 918.1 - 925.1 MHz	
Insertion Loss		≤ 1.0 dB @ 0.3 - 862.0 MHz ≤ 8.0 dB @ 880.9 - 883.5 MHz ≤ 1.0 dB @ 883.5 - 914.0 MHz ≤ 1.8 dB @ 914.0 - 915.0 MHz ≤ 8.0 dB @ 925.9 - 928.5 MHz ≤ 1.0 dB @ 928.5 - 960.0 MHz ≤ 1.0 dB @ 1710 - 1880 MHz ≤ 1.0 dB @ 1920 - 2170 MHz ≤ 1.0 dB @ 2500 - 2700 MHz	
Stop-band Rejection		≥ 44 dB @ 873.1 - 880.1 MHz ≥ 44 dB @ 918.1 - 925.1 MHz	
Return Loss (Port 1)		≥ 14 dB @ 0.3 - 862.0 MHz ≥ 7.0 dB @ 880.9 - 882.0 MHz ≥ 14 dB @ 882.0 - 914.0 MHz ≥ 7.0 dB @ 914.0 - 915.0 MHz ≥ 14 dB @ 925.9 - 960.0 MHz ≥ 18 dB @ 1710 - 1880 MHz ≥ 18 dB @ 1920 - 2170 MHz ≥ 18 dB @ 2500 - 2700 MHz	
Power rating		≤ 200 W	
Test voltage		500V	
Passive intermodulation (IM3) @ 2 x 20 W		≤ -150 dBc; typ. ≤ -160 dBc	
Degree of protection (mated)		IP 65	
Environmental conditions		ETSI EN 300019-1-1 Class 1.2 ETSI EN 300019-1-2 Class 2.3 ETSI EN 300019-1-4 Class 4.1E	
Weight		~15 kg	
Paint color		grey	
Wall / Mast mounting		to be ordered separately under B07787	
Temperature range		-25 °C ...+85 °C	

Dimensions:

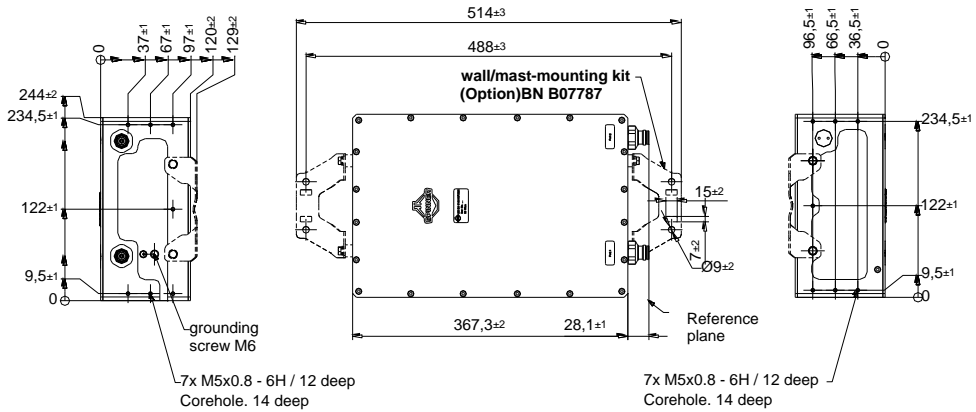
BN 610007



Standard:
7-16 female (50 ohms); CECC 22190, IEC 61169-4

modifications reserved

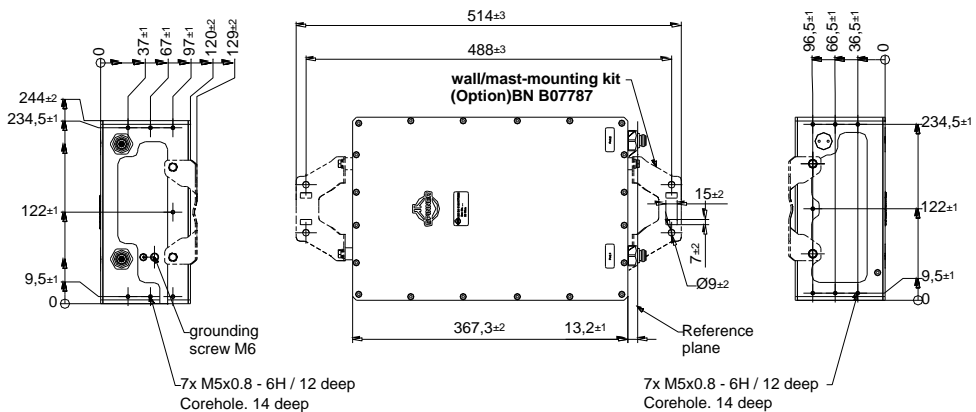
BN 610015



Standard:
4.3-10 female (50 ohms); IEC 61169-54;

modifications reserved

BN 610017

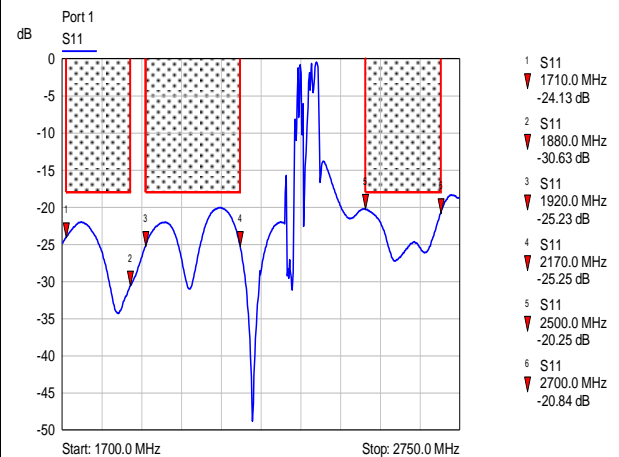
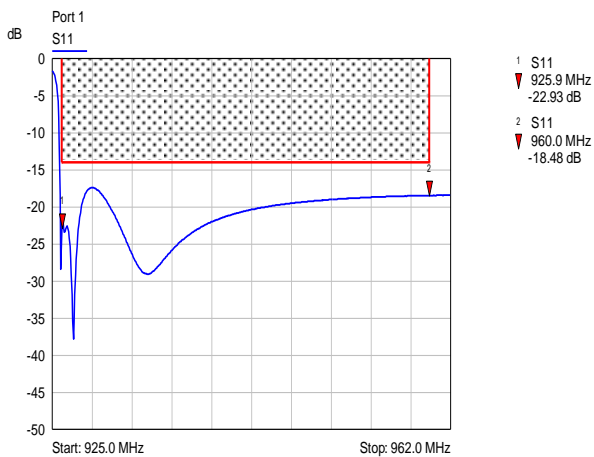
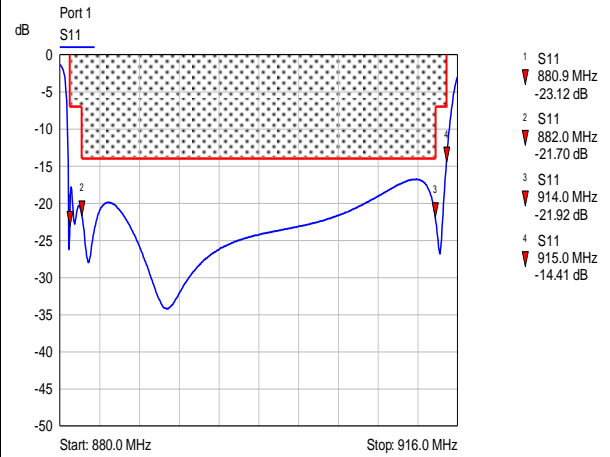
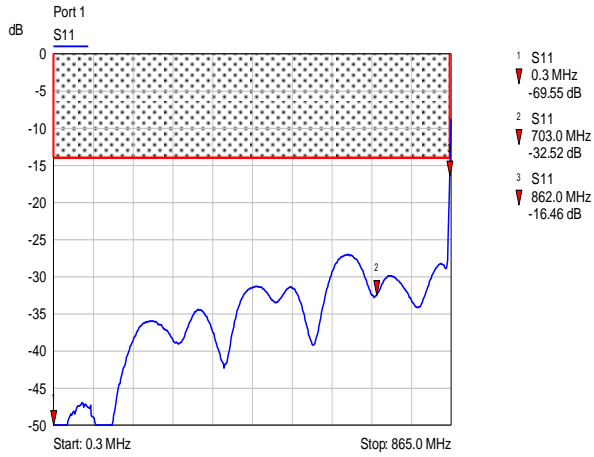


Standard:
N female (50 ohms); CECC 22210, IEC 61169-16

modifications reserved

Measurement:

Return Loss:



Insertion Loss & Stop-band Rejection:

