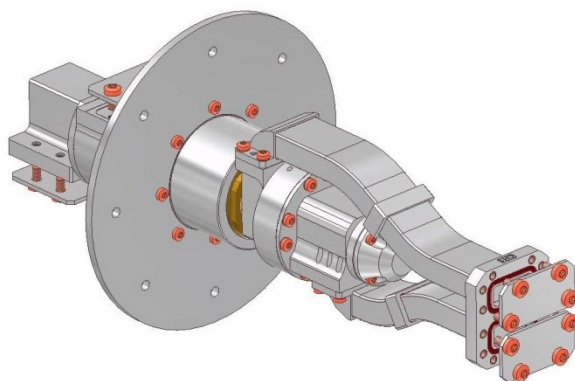


## DATA SHEET



Outline and dimensions as per drawing 635244-0E Issue A.

**Radio frequency channel characteristics**

Channel designation	Channel 1	Channel 2
Interfaces	See 635244-0E	See 635244-0E
Style	L	L
Frequency range	9.3 to 9.4 GHz	9.3 to 9.4 GHz
Peak power capability, max.	70 kW	70 kW
Average power capability, max.	70 W	70 W
VSWR, max.	1.2	1.2
VSWR variation over rotation, max.	0.05	0.05
Insertion loss, max.	0.5 dB	0.5 dB
Insertion loss variation over rotation, max.	0.05 dB	0.05 dB
Phase variation over rotation, max.	1 deg.	1 deg.
Isolation, min.	60 dB	

**General mechanical data**

Differential operating pressure, nominal	1 x 10 <sup>5</sup> Pa (1 bar)	Leakage, max.	20 cm <sup>3</sup> /minute @ nominal differential pressure
Differential operating pressure, max.	2 x 10 <sup>5</sup> Pa (2 bar)	Absolute operating pressure, min.	1.7 x 10 <sup>5</sup> Pa (1.7 bar)
Rotating speed, max.	7 rpm	Life, min.	50 x 10 <sup>6</sup> revolutions
Axial load on interface, max. stationary part / rotating part	±20 N / ±5 N	Radial load on interface, max. stationary part / rotating part	±5 N / ±3 N
Case material	aluminum alloy	Case surface finish	Painted RAL 9005
Weight, approx.	1.5 kg	Marking	adhesive label

**General environmental conditions**

<b>Operation</b>	
Ambient temperature range	-40 to +70°C
Humidity	95% RH (non-condensing)
IP protection level	IP64 per EN 60529
<b>Storage</b>	
Ambient temperature range	-45 to +80°C
Humidity	95% RH (non-condensing)