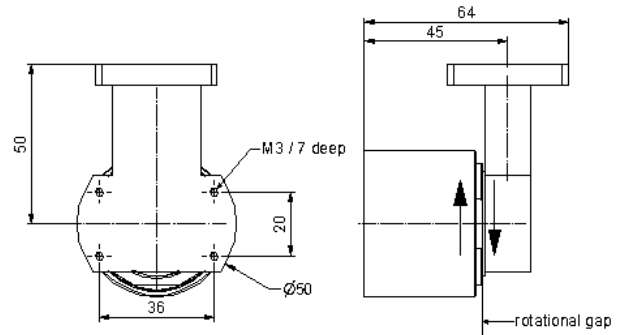


Rotary Joint || BN 635725



Radio frequency characteristics

Channel designation	Channel 1
Waveguide interface aperture	R 120 per IEC 60153-2 (WR 75 per EIA RS-261)
Waveguide interface connector	Compatible to UBR120 (per IEC 60154-2), threads M4
Interface type / material / surface finish	Aluminum alloy
Interface orientation	style L
Frequency range	13.75 to 14.5 GHz
Peak power capability	8 kW @ sea level <sup>RF1)</sup>
Average power capability	750 W <sup>RF1)</sup>
VSWR, max. / typ.	1.2 / 1.1
VSWR variation over rotation, max. / typ.	0.1 / 0.05
Insertion loss, max. / typ.	0.2 dB / 0.1 dB
Insertion loss variation over rotation, max. / typ.	0.05 dB / 0.02 dB

<sup>RF1)</sup> Condition: 300 W @ 16800 m operating altitude

Rotary Joint || BN 635725

**Mechanical characteristics**

Rotating speed, max. / nominal	300 rpm / 200 rpm
Rotating direction (view from the top)	both directions
Life, min.	200 x 10 <sup>6</sup> revolutions
Torque (room temperature), max.	0.2 Nm @ start-up 0.2 Nm @ rotation
Interface loads, max.	±10 N in axial direction ±10 N in radial direction
Case material	aluminum alloy, sea water resistant
Case surface finish	no finish
IP protection level	IP40
Weight, approx.	0.3 kg
Marking	laser engraving

**Environmental conditions**

<b>Operation</b>	
Operating altitude, max.	55.000 ft
Ambient temperature range	-55 to +71°C
Relative humidity, max.	95% (non-condensing)
<b>Storage</b>	
Ambient temperature range	-55 to +85°C
Relative humidity, max.	95% (non-condensing)

**Applicable documents**

Drawing	635725-0E, Issue D
Technical information	“Rotary Joints – Glossary”, Technical Document TD-00021, Spinner GmbH