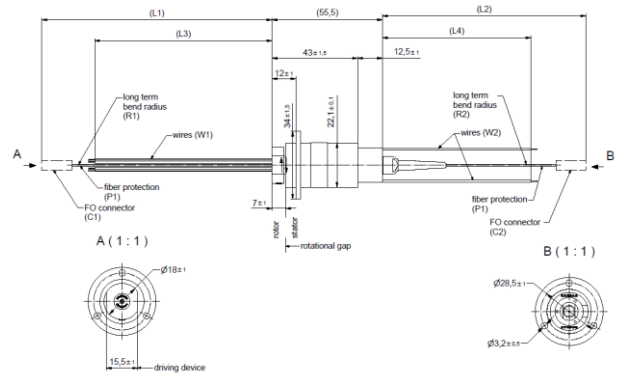


Rotary Joint || BN 636602C0003



all dimensions in millimeter

Fiber optic characteristics

Channels	1 CH	
Channel designation	1	
Fiber type	Singlemode E9 / 125 μm	
Side	Rotor	Stator
FO connector (C1 / C2)	LC/APC	LC/APC
Fiber protection (P1 / P2)	900 μm buffer	900 μm buffer
Fiber length (L1 / L2)	4500 <sup>±150</sup> mm	4500 <sup>±150</sup> mm
Long term bend radius, min. (R1 / R2)	30 mm	30 mm
Wavelength	1310 nm / 1550 nm	
Average power capability, max.	200 mW / 23 dBm	
Return loss, min. / typ.	50 dB / 55 dB	
Insertion loss, max.	3.0 dB	
Insertion loss variation over rotation, max.	1.0 dB	

This document is proprietary to us. All rights reserved. Any use, transfer, or reproduction of this document or the know-how contained therein requires our express consent.

SPINNER GmbH  
 Template TD-00003F

Rotary Joint || BN 636602C0003

**Slip ring characteristics**

Group designation		A	
Circuit diagram		See description below	
Number of channels		12	
Number of paths per channel		1	
Signal type		DC	
Current,	DC nominal	1A	
Voltage	DC nominal	24 VDC	
Side		Rotor	Stator
Wires (W1 / W2)		12x AWG26/19 PTFE	12x AWG26/19 PTFE
Connector		Flying leads, no connector	Flying leads, no connector
Cable length (L3 / L4)		300 $\pm$ 100 mm	300 $\pm$ 100 mm
Insulation Resistance		n.a.	
Noise		n. a.	

SPINNER GmbH  
 This document is proprietary to us.  
 All rights reserved. Any use, transfer, or reproduction of this document  
 or the know-how contained therein requires our express consent.

Template TD-00003F

Rotary Joint || BN 636602C0003

**Mechanical characteristics**

Rotating speed, max.	250 rpm
Life, min.	10 x 10 <sup>6</sup> revolutions
Case material	Polycarbonate PCGF 30, copper alloy
Case surface finish	no finish
IP protection level	IP50
Weight, approx.	0.14 kg
Marking	adhesive label (SPINNER logo)

**Environmental conditions**

<b>Operation</b>	
Ambient temperature range	-20 °C to +80 °C
Relative humidity, max.	95% (non-condensing)
<b>Storage</b>	
Ambient temperature range	-20 °C to +80 °C
Relative humidity, max.	95% (non-condensing)

**Applicable documents**

Circuit Diagram	n.a.
Technical information	“Rotary Joints – Glossary”, Technical Document TD-00021, Spinner GmbH

SPINNER GmbH  
 This document is proprietary to us.  
 All rights reserved. Any use, transfer, or reproduction of this document  
 or the know-how contained therein requires our express consent.

Template TD-00003F