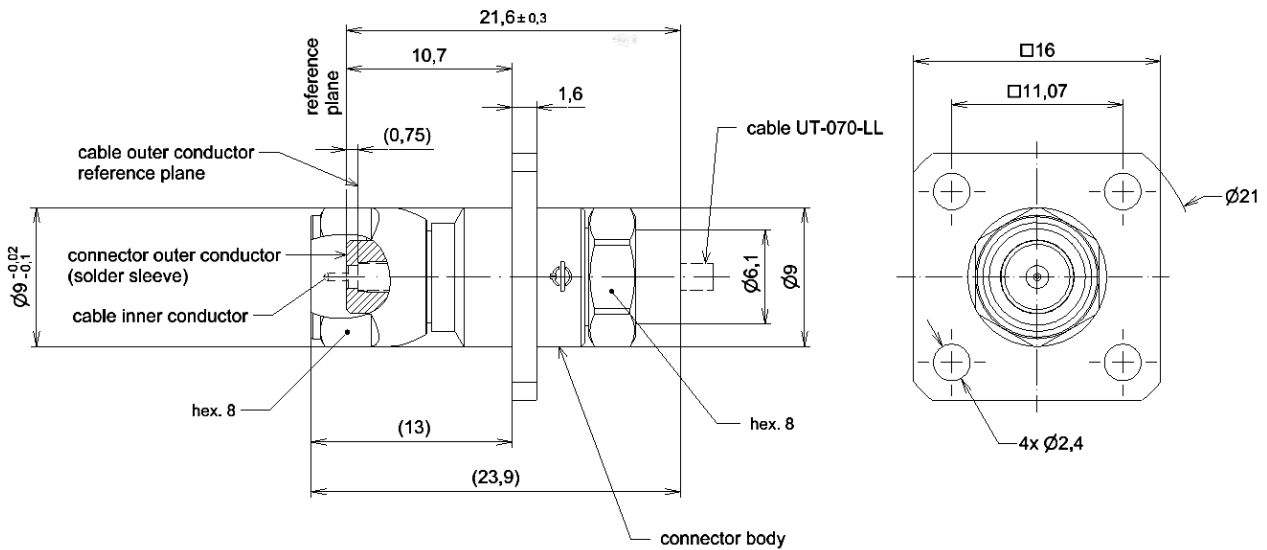


Type 1.85 mm plug panel mount for cable UT-070-(TP)-LL || BN 642688



all dimensions in millimeter

**Radio frequency characteristics**

Interface type	compatible with 1.85 mm socket per IEC 61169-32
Frequency range	DC to 70 GHz
Impedance	50 Ω
VSWR, max.	1.22 @ DC to 70 GHz

**General mechanical data**

Outer conductor material / surface finish	copper alloy / gold plated
Connector body material / surface finish	copper alloy / CuSnZn plated
Other metal parts / surface finish	copper alloy / bright nickel plated copper alloy / CuSnZn plated
Version	solder
Cable compatibility	UT-070-(TP)-LL
Mechanically compatible with cable	Outer conductor: dia. 1.78 +/- 0.03 mm, Dielectric: dia. max. 1.50
Mating cycles	min. 20 - 50 (depending on cable)

**Environmental conditions**

Operating temperature range	-40 to +85 °C
-----------------------------	---------------

**Scope of delivery and accessories**

installation instructions	M36475
---------------------------	--------