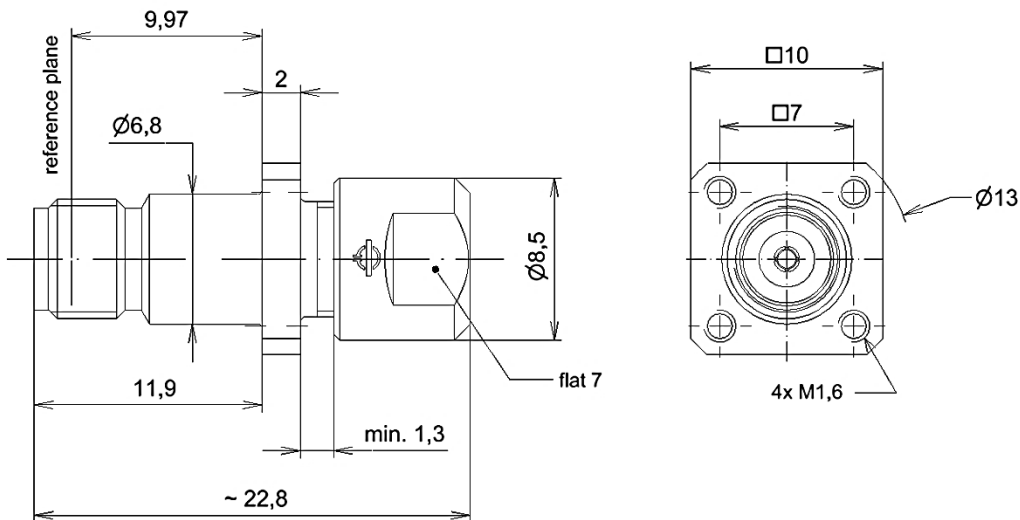


Type 2.92 mm Socket Panel Mount || BN 642698



all dimensions in millimeter

**Radio frequency characteristics**

Interface type	2.92 mm socket per IEEE Std 287, GPC
Frequency range	DC to 40 GHz
Impedance	50 Ω
VSWR, max.	1.08 @ DC to 10 GHz 1.12 @ 10 to 20 GHz 1.22 @ 20 to 40 GHz

**General mechanical data**

Center conductor material / surface finish	CuBe age-hardened / gold plated
Outer conductor material / surface finish	copper alloy / CuSnZn plated copper alloy / gold plated copper alloy / silver plated
Other metal parts / surface finish	copper alloy / bright nickel plated
Insulation	PS
Version	clamp
Cable compatibility	Semirigid 0.070"

**Environmental conditions**

Operating temperature range	-40 to +70 °C
-----------------------------	---------------

**Scope of delivery and accessories**

installation instructions	M36372
---------------------------	--------