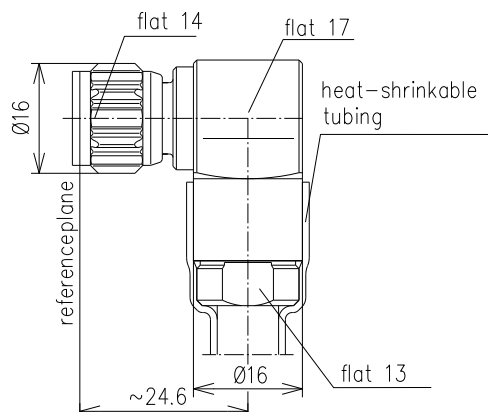


RIGHT ANGLE PLUG FOR LF 1/4"-50-TYPE TNC



Part number	BN 73 65 87			
Connector type	TNC plug			
Version	CAF®			
Impedance	50 Ω			
Frequency range	0 - 1 GHz	1 - 2 GHz	2 - 2.7 GHz	2.7 - 3.8 GHz
VSWR	≤ 1.02	≤ 1.04	≤ 1.06	≤ 1.08
Material and surface				
Inner conductor	CuBe age hardened		gold-plated	
Outer conductor	copper alloy		silver-plated	
Other metal parts	copper alloy		bright nickel-plated	
Insulation	PTFE			
Sealing	silicone rubber, heat-shrinkable adhesive tubing			
Degree of protection	IP68 (mated)			
Cable compatibility	RFS	LCF 14-50		
Standards	IEC 60169-17			
Installation instructions	M30719			
Weight	approx. 0.06 kg			
Included in delivery	sealing, installation instructions			