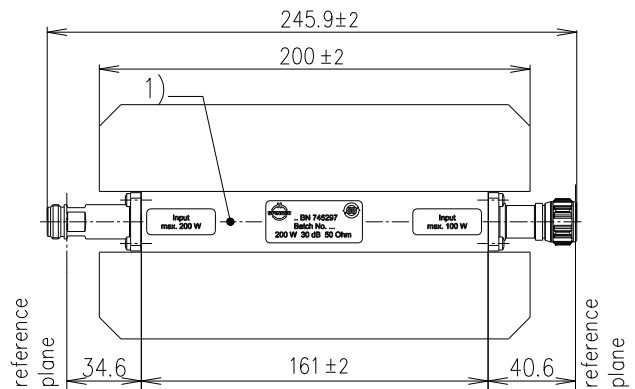
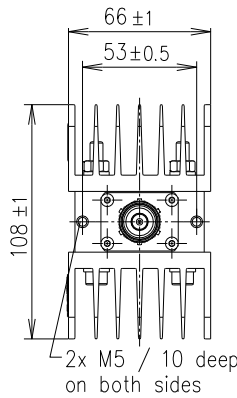


ASYMETRIC HIGH POWER ATTENUATOR

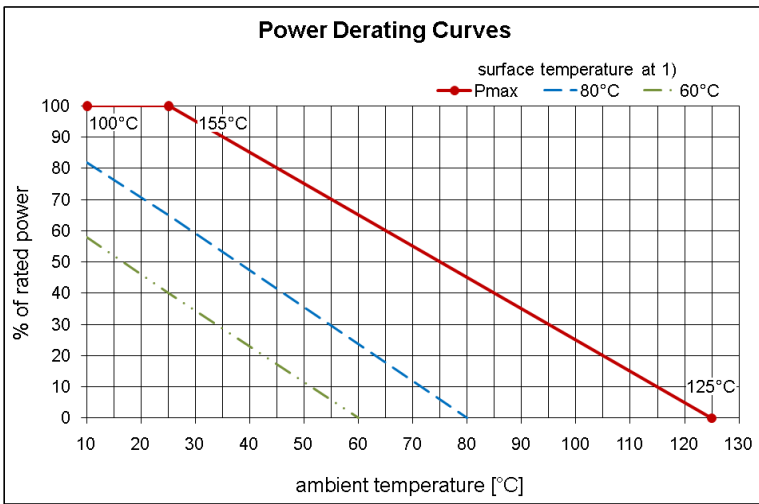


Part number	BN 74 52 97			
Connectors	N socket / N plug			
Impedance	50 Ω			
Frequency range	0 - 1 GHz	≤ 1 - 2 GHz	≤ 2 - 3 GHz	≤ 3 - 4 GHz
VSWR	≤ 1.08	≤ 1.13	≤ 1.22	≤ 1.35
Attenuation	30 ± 1 dB		30 ± 1.5 dB	
Power rating				
Input	N socket		N plug	
	200W 2)		100W 2)	
Material and surface				
Inner conductor	CuBe age hardened copper alloy		silver-plated silver-plated	
Outer conductor	copper alloy		CuSnZn-plated	
Housing	aluminium alloy			
Other metal parts	stainless steel			
Insulation	PTFE			
Heat sink	aluminium alloy		anodised (black)	
Degree of protection	IP40			
Standards	IEC 61169-16			
Operating temperature	-40 °C - +25 °C full power			
Weight	approx. 2.0 kg			
Operating position	any			

1) Measuring point for surface temperature, see graph

2) The maximum power handling is reduced with rising ambient temperatures as follows

ASYMETRIC HIGH POWER ATTENUATOR



recommended space for panel mounting

